

Replacement Parts

Applies to:

Standard Power Vent Fan and Blower Type Unit Heaters

Separated Combustion Fan and Blower Type Unit Heaters

IMPORTANT

1. Always include complete heater model and serial number so that any specification change can be considered for parts replacement. It can save time and expense.
2. Specifications are subject to change without notice.
3. We reserve the right to substitute functional replacements
4. Order by PN not Heater Option Designation.

INDEX

B

Bearings 15
Belt 11, 12
Belt Guard 23
Blower 15
Blower Inlet Guard 23
Burner 18
Burner Orifice 18

C

Cabinet Parts 13, 14
Fan Motor Capacitor 6, 7
Circuit Board 5, 7
Circuit Board (DSI Ignition Cntrl) 5
Collar 14
Concentric Adapter Box 20
Contactor 9
Control Compartment 4
Control of 2 to 6 Heaters 24
Gas Conversion Kits 19

D

Date of Manufacture 3
Decoding a Serial No 3
Disconnect Switch 6
Door Handle 14
Drives 11, 12

E

Electrical Components 4, 6
Exhaust (Vent) Terminal 20
Exhaust Grill 20

F

Fan Blade 14
Fan Guard 14
Fan Motor 7
Flame Sensor 5, 7
Flue Wrapper 17
Fuse 5

G

Guards 23

H

Hanger Bar 13
Hanger Kits 23
Heat Exchanger 19
High Altitude Switch 21

I

Ignition Control 7
Combustion Air Inlet 20
Inlet Guard 20

L

Limit Control 5, 7
Horizontal Louver 13
Vertical Louvers 21

M

Belt Drive Motor 9
Blower Motor 9
Direct Drive Motor 9
Fan Motor 6, 7
Venter Motor 16
Motor Adjustment Bracket 15
Motor Mounting Components 15

N

Downturn Nozzles 22

O

Option CC1 21
Option CC14 20
Option CC2 20
Option CC6 20
Option CD1 21
Option CD10 23
Option CD11 23
Option CD12 23
Option CE1 24
Option CG1 8
Option CG2 8
Option CG4 8
Option CK10 23
Option CK22 24
Option CK8 23
Option CL1 24
Option CL22 24
Option CL31 24
Option CL32 24
Option CM3 25
Options CD2, CD3, CD4, CD5 22
Orifice 18

P

Paint 14
Polytube Adapter 23
High Altitude Pressure Switch 21
Pressure Switch 6, 7
Pressure Tap 17
Blower Pulley 11, 12
Motor Pulley 11, 12

R

Rating Plate 2
References 3
Restrictor 15

S

Serial No. 2
Shaft 15
Silicone Sealant 20
Motor Starter 9
Starter Overload 9
Ceiling Suspension Kit 24
Disconnect Switch 6, 7
Door Switch 6, 7
Flame Rollout Switch 5, 7

T

Terminal Board 6, 7
Thermostat 24
Thermostat Bracket Kit 25
Stepdown Transformer Kits 8
Transformer 5, 7

V

Gas Valve 6, 7
Manual Shutoff Valve 24
Vent Cap 21
Venter Housing 16
Venter Motor 16
Venter Wheel 16
Venting and Combustion Air Kits 20

W

Wiring Harness 6

Warranty—All Models

One-year limited warranty on the heater.



Nine-year extended limited warranty on the heat exchanger, burner, and flue collection box assembly.

Four-year extended limited warranty on all electrical and mechanical operating components (with the exception of blower belts).



Contact your distributor for details.

Rating Plate and Serial No.

Example of a Rating Plate for a Std Power Fan Type Unit

MADE IN MEXICO			
UNIT HEATER			
CATEGORY [Z]			
ANSI Z83.8 [A] CSA 2.6 [A'] UNIT HEATER			
CSA .10.96 U.S. (2nd Ed.) UNIT HEATERS FOR RESIDENTIAL INSTALLATION			
MODEL [B]		[C]	
SERIAL NO.			
[D] VOLTS [D] PH [D] HZ MAXIMUM TOTAL INPUT [D] AMPS			
TYPE OF GAS: [E]			
FOR USE AT 0-2000 FEET, 0-610 METERS OF ALTITUDE.			
ORIFICE SIZE [F] DRILL HAS BEEN FACTORY ADJUSTED			
		SEA LEVEL	
NORMAL INPUT	[J]		BTU/HR
THERMAL OUTPUT CAPACITY	[L]		BTU/HR
MINIMUM INPUT(-2 MODELS)	[M]		BTU/HR
NORMAL MANIFOLD PRESSURE	[G]		IN.W.C.
MIN. PERMISSIBLE GAS SUPPLY PRESSURE			
FOR PURPOSE OF INPUT ADJUSTMENT. [H] IN.W.C.			
CLEARANCES TO COMBUSTIBLE CONSTRUCTION: TOP-[N] ",			
FLUE CONNECTION-6", CONTROL SIDE-18", OPP. SIDE-[P] ",			
BOTTOM-1", FRONT-36".			
FOR ALTERNATE INSTALLATIONS USE THE LATEST EDITIONS OF			
THE APPROPRIATE STANDARD LISTED BELOW:			
FOR AIRCRAFT HANGARS	USE STANDARD ANSI/NFPA 409		
FOR PARKING STRUCTURES	USE STANDARD ANSI/NFPA 88A		
FOR REPAIR GARAGES	USE STANDARD ANSI/NFPA 88B		
THIS UNIT IS NOT FOR USE WITH DUCTS.			
THIS UNIT IS NOT FOR USE WITH FILTERS.			
IN THE EVENT THE FLAME ROLLOUT SENSOR CAUSES THE			
HEATER TO SHUT OFF, DETERMINE AND CORRECT THE CAUSE.			
FAILURE TO DO SO COULD RESULT IN PERSONAL INJURY OR			
DEATH. TO RESET, DEPRESS THE BUTTON ON THE SENSOR			
LOCATED ON THE BURNER BOX ASSEMBLY.			

Example of a Rating Plate for a Std Power Blower Type Unit

MADE IN MEXICO			
UNIT HEATER			
CATEGORY [Z]			
ANSI Z83.8 [A] CSA 2.6 [A'] UNIT HEATER			
MODEL [B]		[C]	
SERIAL NO.			
[D] VOLTS [D] PH [D] HZ MAXIMUM TOTAL INPUT [D] AMPS			
TYPE OF GAS: [E]			
FOR USE AT 0-2000 FEET, 0-610 METERS OF ALTITUDE.			
ORIFICE SIZE [F] DRILL			
		SEA LEVEL	
NORMAL INPUT	[J]		BTU/HR
THERMAL OUTPUT CAPACITY	[L]		BTU/HR
MINIMUM INPUT(-2 MODELS)	[M]		BTU/HR
NORMAL MANIFOLD PRESSURE	[G]		IN.W.C.
MIN. PERMISSIBLE GAS SUPPLY PRESSURE			
FOR PURPOSE OF INPUT ADJUSTMENT. [H] IN.W.C.			
TEMPERATURE RISE RANGE FROM [Q] DEG. F. TO [R] DEG. F.			
MAXIMUM EXTERNAL STATIC PRESSURE [S] IN. W.C.			
CLEARANCES TO COMBUSTIBLE CONSTRUCTION: TOP-[N] ", FLUE			
CONNECTION-6", CONTROL SIDE-18", OPP. SIDE-[P] ", BOTTOM-1", FRONT-36"			
FOR ALTERNATE INSTALLATIONS USE THE LATEST EDITIONS OF THE			
APPROPRIATE STANDARD LISTED BELOW:			
FOR AIRCRAFT HANGARS	USE STANDARD ANSI/NFPA 409		
FOR PARKING STRUCTURES	USE STANDARD ANSI/NFPA 88A		
FOR REPAIR GARAGES	USE STANDARD ANSI/NFPA 88B		
INSTALLATION OF THIS UNIT IN AIRCRAFT HANGERS IN ACCORDANCE WITH			
THE REQUIREMENTS OF THE ENFORCING AUTHORITIES AND IN PUBLIC			
GARAGES IN ACCORDANCE WITH THE CAN/CGA-B149 (.1 OR .2) CODES.			
THIS UNIT IS NOT FOR USE WITH FILTERS.			
THIS UNIT MAY BE USED WITH DUCTS.			

Rating Plate Key:

A	Date of ANSI Standard	K	Blower Motor Horsepower
A'	Date of CSA Standard	L	BTU Thermal Output Sea Level
B	Model No.	M	BTU Minimum Input Sea Level
C	Month and Year of Manufacture	N	Top Clearance
D	Voltage, Phase, 60 Hertz, Maximum Total Input Amps	P	Left Side Clearance
E	Natural Gas or Propane	Q	Temperature Rise From (°F)
F	Orifice Size	R	Temperature Rise To (°F)
G	Manifold Pressure (3.5" w.c. Natural Gas; 10" w.c. Propane)	S	Maximum External Static Pressure (inches w.c.)
H	Minimum Gas supply Pressure (5.0" w.c. Natural Gas; 11.0" w.c. Propane)	Z	Category
J	BTU Normal Input Sea Level		

Decoding a Serial No.

Decoding a System Serial No. for ALL Models BEFORE June 2015

Serial No. Sample: **BLK 79 6E N 00000**
 Elements Key No.: **1 | 2 | 3 | 4 | 5**

Key:

- 1 = Date CODE (See Date of Manufacture Table below)
- 2 = Type of ignition system
- 3 = Type of gas valve
- 4 = Gas (N = natural; L = propane)
- 5 = Consecutive number

Decoding a System Serial No. for ALL Models AFTER June 2015

Serial No. Sample: **BOG 3060 00000**
 Elements Key No.: **1 | 2 | 3**

Key:

- 1 = Date CODE (See Date of Manufacture Table below)
- 2 = Plant of Manufacture (3060 = Mercer; 3062 = Monterrey)
- 3 = Consecutive number

First Element of the Serial Number—Date of Manufacture

Year	Jan	Feb	Mar	Apr	May	June	July	Aug	Sept	Oct	Nov	Dec
2002	BBA	BBB	BBC	BBD	BBE	BBF	BBG	BBH	BBI	BBJ	BBK	BBL
2003	BCA	BCB	BCC	BCD	BCE	BCF	BCG	BCH	BCI	BCJ	BCK	BCL
2004	BDA	BDB	BDC	BDD	BDE	BDF	BDG	BDH	BDI	BDJ	BDK	BDL
2005	BEA	BEB	BEC	BED	BEE	BEF	BEG	BEH	BEI	BEJ	BEK	BEL
2006	BFA	BFB	BFC	BFD	BFE	BFF	BFG	BFH	BFI	BFJ	BFK	BFL
2007	BGA	BGB	BGC	BGD	BGE	BGF	BGG	BGH	BGI	BGJ	BGK	BGL
2008	BHA	BHB	BHC	BHD	BHE	BHF	BHG	BHH	BHI	BHJ	BHK	BHL
2009	BIA	BIB	BIC	BID	BIE	BIF	BIG	BIH	BII	BIJ	BIK	BIL
2010	BJA	BJB	BJC	BJD	BJE	BJF	BJG	BJH	BJI	BJJ	BJK	BJL
2011	BKA	BKB	BKC	BKD	BKE	BKF	BKG	BKH	BKI	BKJ	BKK	BKL
2012	BLA	BLB	BLC	BLD	BLE	BLF	BLG	BLH	BLI	BLJ	BLK	BLL
2013	BMA	BMB	BMC	BMD	BME	BMF	BMG	BMH	BMI	BMJ	BMK	BML
2014	BNA	BNB	BNC	BND	BNE	BNF	BNG	BNH	BNI	BNJ	BNK	BNL
2015	BOA	BOB	BOC	BOD	BOE	BOF	BOG	BOH	BOI	BOJ	BOK	BOL
2016	BPA	BPB	BPC	BPD	BPE	BPF	BPG	BPH	BPI	BPJ	BPK	BPL
2017	BQA	BQB	BQC	BQD	BQE	BQF	BQG	BQH	BQI	BQJ	BQK	BQL
2018	BRA	BRB	BRC	BRD	BRE	BRF	BRG	BRH	BRI	BRJ	BRK	BRL
2019	BSA	BSB	BSC	BSD	BSE	BSF	BSG	BSH	BSI	BSJ	BSK	BSL
2020	BTA	BTB	BTC	BTD	BTE	BTF	BTG	BTH	BTI	BTJ	BTK	BTL

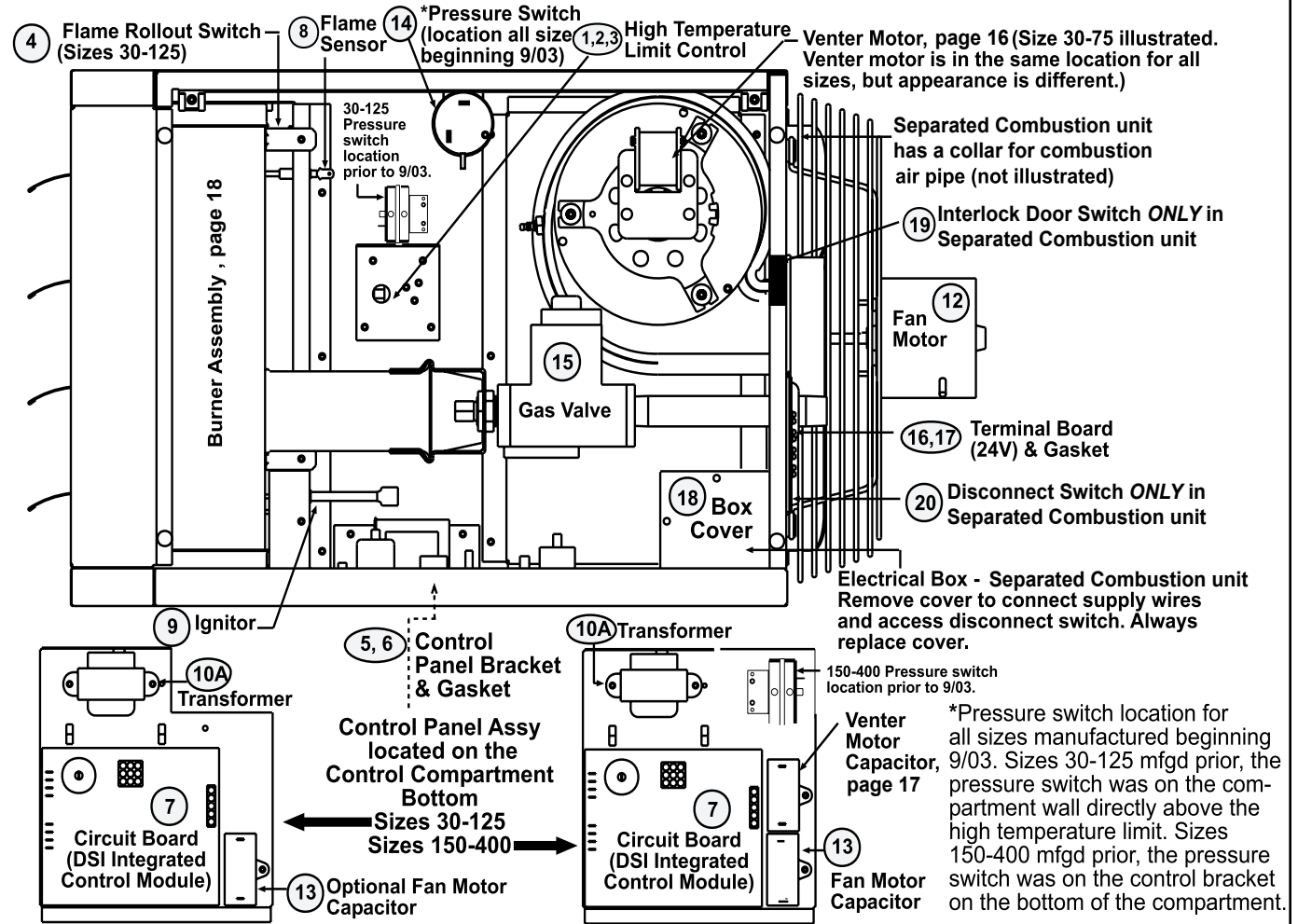
References

Printed Forms	Form	Number
Installation/Operation - All Power Vent & Separated Combustion unit heaters	None	Doc #300519
Installation/Operation - All Power Vent & Separated Combustion Blower Type unit heaters	I-UDB	202658
Venting Installation - All Power Vent Fan & Blower Type unit heaters	I-UD&APD Series-V-PV	195675
Venting Installation - Power Vent Fan Type unit heater with Opt AV6 (common vent)	I-UD-V-CV	195677
Venting Installation - Separated Combustion Fan & Blower Type unit heaters	I-UD-V-SC	195676
Gas Conversion Kits	CP&APD Series-GC	197209
High Altitude Kits (above 6000 ft)	I-UD&APD Series-HA	197081
Replacement Parts - Serial No. Explanation, Valves, and Ignition Controls	P-VALVES	263995

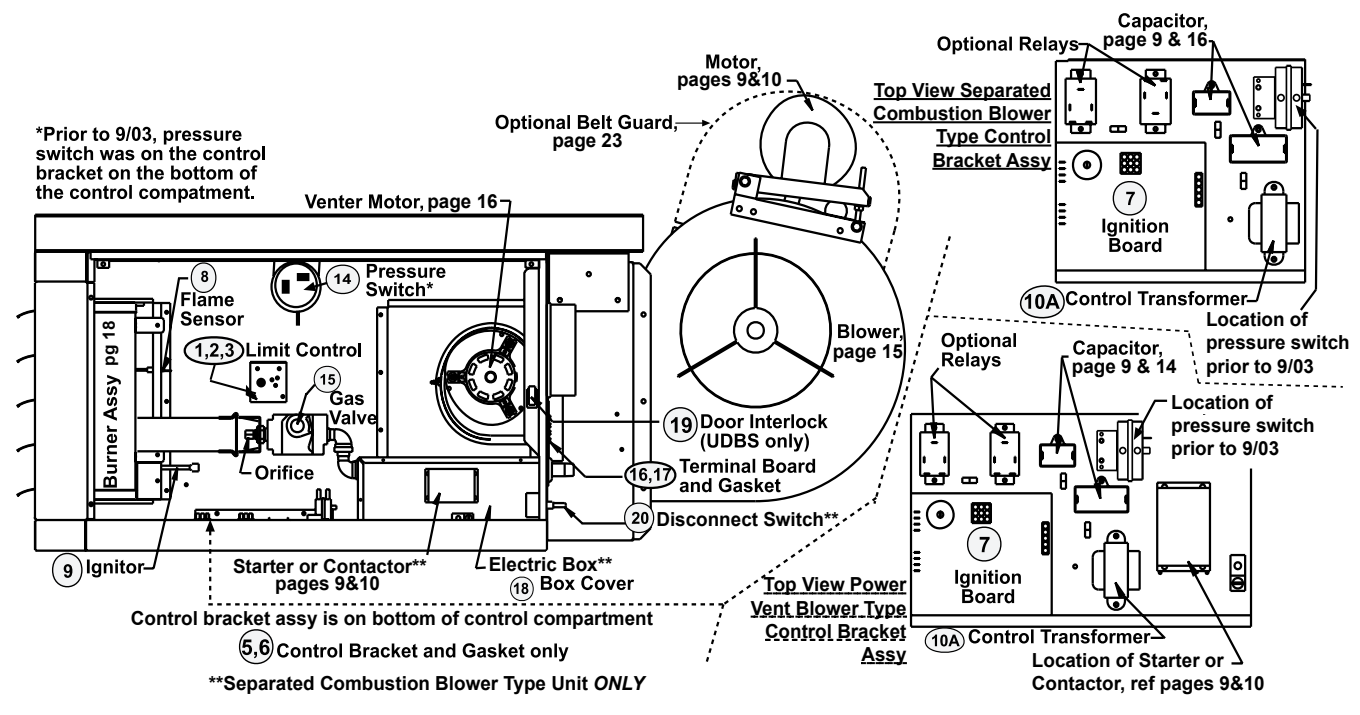
NOTE: See your Factory Distributor for copies of forms shown above.

Electrical Components—Location, Quantity (Quantities Other than One are Listed in Parentheses), and PN (See Pages 7 and 8 for Photos)

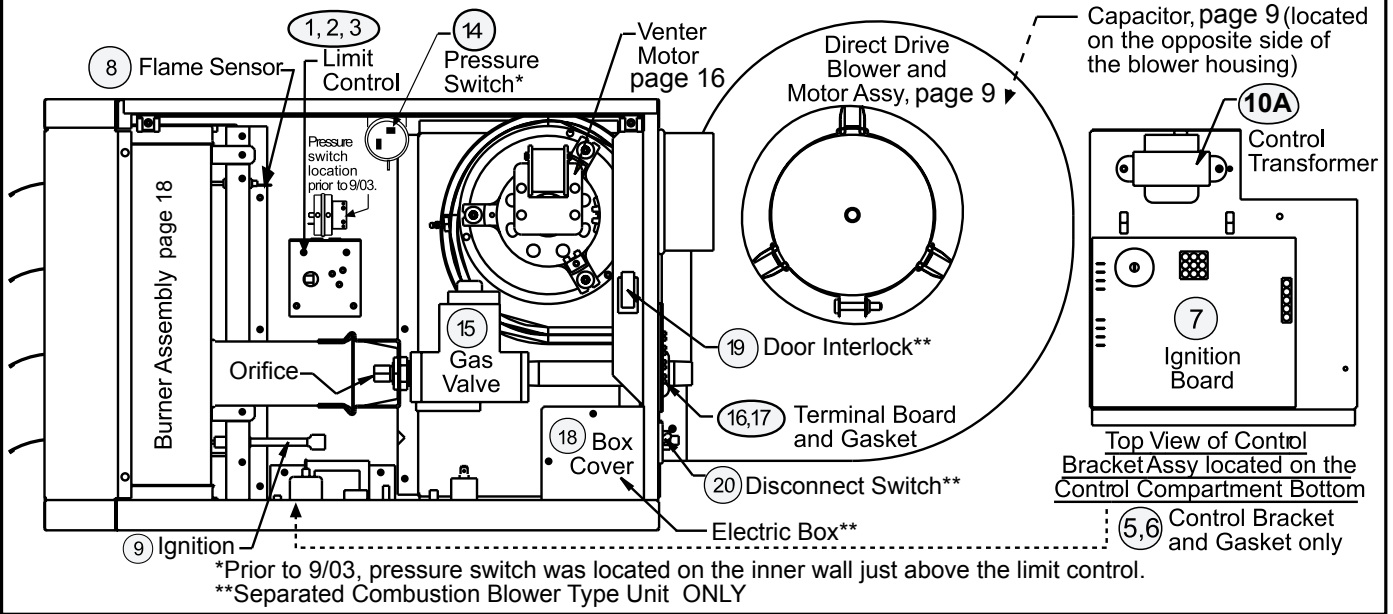
Control Compartment—Standard Power Vent and Separated Combustion Fan Type Model (Sizes 30–400)



Control Compartment—Power Vent and Separated Combustion Blower Type Model (Sizes 150–400)



Control Compartment—Standard Power Vent Blower Type Model (Sizes 30–125)



Code	Description	Model	Size													
			30	45	60	75	100	125	150	175	200	225	250	300	350	400
1A	High Temperature Limit Control, Auto Reset (NOTE: Color listed is the color of the identifying dot on the limit control label. "None" indicates no colored dot on the label.)	Std Power Vent & Separated Combustion Fan Type Unit	96512, 220°F, Blue		45602, 180°F, None			85449, 200°F, Yellow	45602, 180°F, None	82091, 160°F, Red	45602, 180°F, None	82091, 160°F, Red	45602, 180°F, None	85449, 200°F, Yellow	45602, 180°F, None	
		Std Power Vent & Separated Combustion Blower Type Unit	201961, 275°F, Green	96512, 220°F, Blue	85449, 200°F, Yellow	96512, 220°F, Blue	201961, 275°F, Green	45602, 180°F, None	202048, 240°F, Silver	45602, 180°F, None	201962, 250°F, Orange	202048, 240°F, Silver	85449, 200°F, Yellow			
1B	High Temperature Limit Control, Auto Reset - Std Power Vent Fan Type Heater w/Opt AL2B	Std Power Vent Fan Type-45LN (low noise)	N/A	85449, 200°F, Yellow	N/A											
2	Limit Control Plate	All	170025													
3	Limit Control Bracket	Std Power Vent & Separated Combustion Fan Type Unit	170026													
		Std Power Vent & Separated Combustion Blower Type Unit	201771									202701				
4	Flame Rollout Switch, Manual Reset	Std Power Vent & Separated Combustion Fan Type Unit	197033, 210°F/-31°F, Violet Dot	196949, 225°F/-31°F, Red Dot	196950, 250°F/-31°F, Yellow Dot			—	—	—	—	—	—	—	—	
5	Control Mounting Bracket	Std Power Vent & Separated Combustion Fan Type Unit	195551						195294							
		Std Power Vent Blower Type Unit	195551						202736							
		Separated Combustion Blower Type Unit	195551						195294							
6	Cntrl Mounting Bracket Gasket	All	195664													
7	Circuit Board (DSI Ign-Cntrl)	All	195265, UTC 1097-210, Serial No. Code 79													
7A	Fuse for Circuit Board	All	PN 201685 or replace with a field-supplied Type ATC or ATO 3 amp fuse, Color Code Violet													
8	Flame Sensor	All	195292													
9	Ignitor (Electrode Assy)	All	175272													
10A	Transformer	115V	Std Power Vent & Separated Combustion Fan Type Unit	175265, 25VA												
			All*	194808, 40 VA (*40VA transformer only applies to Std Power Vent & Separated Combustion Fan Type Unit Heaters when equipped with multiple heater control Option CL31)												
		208V-230V/1ph	194536, 40 VA													
		208V-230V/3ph	Std Power Vent & Separated Combustion Blower Type Unit	—						194536, 40 VA						
10B**	Xformer w/ Opts D10/14 DDC Cntrls	115V	N/A						175265, 25VA and 194808, 40VA							
		208V-230V/1ph	N/A						(2) 194536, 40 VA							
11	Stepdown Transformer	480V supply 120V	—						11100, 1/2 KVA							
		575V supply 120V	—						202056, 575/120							

Electrical Components—Location, Quantity (Quantities Other than One are Listed in Parentheses), and PN (See Pages 7 and 8 for Photos) (Cont'd)

Code	Description		Model	Size												
				30	45	60	75	100	125	150	175	200	225	250	300	350
12A	Fan Motor (see spacing, page 7)	115V Open	Std Power Vent & Separated Combustion Fan Type Unit	196240	196241	196242	196243	196244	196245	271461 (replaces 196246 for units mfg'd after 9/2013)			196247			
		115V TEFC (AL14)		203310			203724			196824			196825 (Must be Fasco Rev D)			
		***208/230V Open		196826 ***			195302 ***			195303 ***						
12B	Fan Mtr 115V w/Opt AL2B		Std Power Vent Fan Type-45LN (low noise)	N/A	203030	N/A										
13	Fan Motor Capacitor		115V	—	—	—	—	195643, 7.5 mfd								
			208/230V	—	—	—	195643, 7.5 mfd									
			115Vw/AL14	—	—	—	195643, 7.5 mfd			217031, 15mfd						
14	Pressure Switch, 0 to 6000 ft (Above 6000 ft, see kits on page 21.) NOTE: Color listed is the identifying color of the pressure switch label.		Std Power Vent Fan Type-CV ****	197028, .65" w.c., Yellow	196388, .50" w.c., Orange	197029, .60" w.c., Light Blue	196362, .55" w.c., White	—	—	—	—	—	—	—	—	
			Std Power Vent Fan Type Unit	197030, .40" w.c., Green		196388, .50" w.c., Orange		197030, .40" w.c., Green		201158, 1.10" w.c., Blue			201158, 1.10" w.c., blue, on Sizes 350 & 400 mfgd beginning 7/23/2009			
			Separated Combustion Fan Type Unit	197028, .65" w.c., Yellow				196362, .55" w.c., White	197032, .45" w.c., Pink	197030, .40" w.c., Green	201158, 1.10" w.c., Blue					
			Std Power Vent Blower Type Unit	197030, .40" w.c., Green		196388, .50" w.c., Orange		197030, .40" w.c., Green		197030, .40" w.c., Green		201158, 1.10" w.c., Blue			201159, 1.40" w.c., red, Sizes 350 & 400 mfgd prior to 7/23/2009	
			Separated Combustion Blower Type Unit	197030, .40" w.c., Green	196388, .50" w.c., Orange	197029, .60" w.c., Lt Blue	196388, .50" w.c., Orange	197030, .40" w.c., Green	197032, .45" w.c., Pink	197030, .40" w.c., Green	201158, 1.10" w.c., Blue					
15	Gas Valve	Natural, 1-Stage Propane, 1-Stage	All (Serial No. valve code in parentheses, see page 3)	260603, 1/2 x 1/2, MH VR8215T1239 (6E)							196981, 3/4 x 3/4, MH VR8305K4241 (Y3 or Z8)					
		Natural, 2-Stage Propane, 2-Stage		263999, 1/2 x 1/2, MH VR8215T5214 (9E)							196983, 3/4 x 3/4, MH VR8305K4258 (Y5 or 1A)					
		—		197066, 1/2 x 1/2, MH VR8205N2921 (Y8 or 4A)				197067, 3/4 x 3/4, MH VR8305N4297 (Y9 or 5A)								
		—		197064, 1/2 x 1/2, MH VR8205N2913 (Y6 or 2A)				197065, 3/4 x 3/4, MH VR8305N4289 (Y7 or 3A)								
16	Terminal Board (24V), 4 pole	All	196813													
17	Terminal Board Gasket		196327													
18	Electrical Box Cover	Separated	201945													
19	Door Switch	Combustion Fan and Blower Type Units	217262, Carling #TA22B-TLB-B													
20	Disconnect Switch		101902 (after 10/06) / (201946 before 10/06)						101902 (replaced 202054)							
21	Wiring Harness with 9 pin Terminal	Std Power Vent & Separated Combustion Fan Type Unit	197148	197199	197149	201417	201418	201419								
		Std Power Vent & Separated Combustion Blower Type Unit	203523	203524	203525	203526	203527	203528								
22	Wiring Harness w/ 5 pin Terminal	All	195653						195656							

** For location, see page 8.

*** When inventory of the 208/230V fan motors is depleted, they will no longer be available as replacement parts. A replacement 115V motor and the installation of a stepdown transformer kit (Opt CG1 or 2, page 8) will be required. Check with your distributor for availability.

**** Std Power Vent Fan type unit - CV is a Std Power Vent Fan type unit with factory-installed Common Vent Option AV6

Electrical Components (See Locations on Pages 4 and 5)

CODE 1 - High Temperature Limit Control, Auto Reset
PN 45602, 180°F, No Dot
PN 85449, 200°F, Yellow Dot
PN 96512, 220°F, Blue Dot
PN 202048, 240°F, Silver Dot
PN 201962, 250°F, Orange Dot
PN 201961, 275°F, Green Dot



Bracket, **PN 170026**
 Plate, **PN 170025**

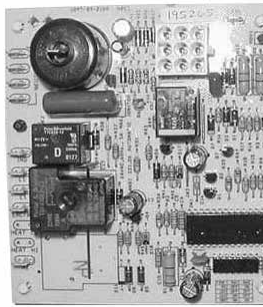
CODE 4 - Flame Rollout Switch, Manual Reset



Std Power Vent & Separated Combust Fan Type Units

Model 30 - **PN 197033**, 210°F, Violet Dot
 Models 45, 60, 75 - **PN 196949**, 225°F, Red Dot
 Models 100, 125 - **PN 196950**, 250°F, Yellow Dot

CODE 7 - Circuit Board (DSI Ignition Control), PN 195265, UTC 1097-210



To replace fuse, use **PN 201685** or a field supplied Type ATC or ATO 3 amp fuse, Color Code Violet

CODE 8 - Flame Sensor, PN 195292



CODE 9 - Ignitor (Electrode Assembly), PN 175272



CODE 10 - Transformer



115V-25VA, **PN 175265**
 115V-40VA, **PN 194808**
 208/230V-40VA, **PN 194536**

CODE 11 - Stepdown Transformer



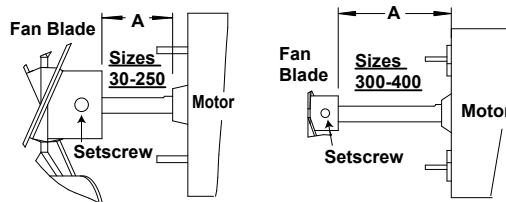
460V-120V, 1/2 KVA (500VA), **PN 11100**
 575V-120V, **PN 202056**
 (Stepdown transformer is not in the control compartment; it hangs on the outside of the heater cabinet.)

CODE 12 - Fan Motor



See motor application and PNs on page 6. For fan blade PNs, see page 14

Fan Blade/Motor Spacing by Unit Size and Type of Fan Guard



Std Power Vent & Separated Combust Fan Type Unit Size	A = Fan Spacing				Setscrew Torque (in/lb ±10)
	Standard Wire Fan Guard with 0.5" (13 mm) Spacing		Option AZ8 Wire Fan Guard with 0.334" (8.5 mm) Spacing		
30	1"	25 mm	1"	25 mm	80
45	9/16"	14 mm	1-1/16"	27 mm	
45-LN	3/4"	19 mm	N/A		
60	1-1/2"	38 mm	1-3/4"	44 mm	
75	2-1/8"	54 mm	1-1/2"	38 mm	
100	2-3/8"	60 mm	2-3/8"	60 mm	120
125	2-5/16"	59 mm	2-1/8"	54 mm	
150	2-3/8"	60 mm	N/A		130
175	2-1/8"	54 mm			
200	1-5/8"	41 mm			
225/250/300	2"	51 mm			
350	1-7/8"	48 mm			
400	1-3/8"	35 mm			

CODE 13 - Fan Motor Capacitor
 (see page 6 for PN)



CODE 14 - Pressure Switch, H/W #IS2



See application and PNs on page 6. For high altitude (above 6000 ft), see page 21

CODE 15 - Gas Valve

Single-Stage Gas Valves



PN	Serial No. Code	Replacement for Serial No. Code
196981	Y3 or Z8	
196983	Y5 or 1A	
260603	6E	Y2, Z7, X7, or Z3
263999	9E	Y4, Z9, X9, or Z5



See application by PN, Type, and Size on page 6.
See Serial No. Decoding on page 3.

Two-Stage Gas Valve



PN	Serial No. Code	Replacement for Serial No. Code
197066	Y8 or 4A	X8 or Z4
197067	Y9 or 5A	
197064	Y6 or 2A	Y1 or Z6
197065	Y7 or 3A	

CODE 16 - Terminal Board, 24V, 4 pole, PN 196813



CODE 17 - PN 196327 for Separated Combustion Fan & Blower Type Units

CODE 19 - Interlock Door Switch, PN 217262 for Separated Combustion Fan & Blower Type Units



CODE 20 - Disconnect Switch for Separated Combustion Fan or Blower Type Units (see page 6 for PN)



CODE 25 - Stepdown Transformer Kits (Same as Options CG1, CG2, CG4)



Stepdown Transformer

For Std Power Vent or Separated Combustion Fan Type Units	30	45, 60, 75, 100	125, 150, 175, 200	225, 250	300, 350, 400
Option CG1 (208 to 120V)	260919	260920	260921	260922	260923
includes Transformer (PN, kva)	260927, .25	260928, .50	260929, .75	223462, 1.0	260930, 1.5
Option CG2 (230 to 120V) and Option CG4 (460 to 120V)	197150	197151	197152	197153	197154
includes Transformer (PN, kva)	11279, .25	11100, .50	11217, .75	16065, 1.0	197085, 1.5
Option CG1, CG2, and CG4 Kits listed above include the following parts:					
Transformer Bracket	197079			197080	
Transformer Bracket Gasket	236155				
Hex Head Cap Screw	32253, 3/8" x 1" long				
3/8" Lock Washer	5197				
3/8" Flat Washer	6593				
BX Cable, 3/8"	45097, 38"	174394, 46"	63292, 49"	10460, 56"	201465, 70"
Black wire 14 gauge, 105°C	32520, 54"	7208, 62"	123150, 65"	48862, 72"	201466, 86"
White wire 14 gauge, 105°C	201243, 54"	201242, 62"	123152, 65"	48861, 72"	201467, 86"
Green wire 14 gauge, 105°C	201241, 54"	201240, 62"	201468, 65"	201462, 72"	201469, 86"
Anti-Short Bushing	(2) 16358				
Straight Connector	16199				
90° Connector	1417, T&B #XC-290				
Cable Clamp, 1/2"	16227, Heyco #3328				
Sheetmetal Screws	(3) 11813, #10 x 1/2"				
Wire Connector 73B	(10) 16354, Ideal #3-0253				

NOTE: For stepdown transformer for Std Power Vent & Separated Combustion Blower Type Units with 460V or 575V, see CODE 11, page 5

For Std Power Vent or Separated Combustion Blower Type Units	30, 45	60, 75	100, 125
Option CG1 (208 to 120V)	260924	260925	260926
includes Transformer (PN, kva)	260928, .50	223462, 1.0	260931, 2.0
Option CG2 (230 to 120V) and Option CG4 (460 to 120V)	202976	202977	202978
includes Transformer (PN, kva)	11100, .50	16065, 1.0	202979, 2.0
All Std Power Vent & Separated Combustion Blower Type Heaters Option CG1, CG2, and CG4 Kits listed above include the following parts:			
Transformer Bracket	197079		
Transformer Bracket Gasket	236155		
BX Cable, 3/8" (length in inches)	45097, 38"	174394, 46"	63292, 49"
Black wire 14 gauge, 105°C, (length in inches)	32520, 54"	7208, 62"	123150, 65"
White wire 14 gauge, 105°C, (length in inches)	201243, 54"	201242, 62"	123152, 65"
Green wire 14 gauge, 105°C, (length in inches)	201241, 54"	201240, 62"	201468, 65"
Anti-Short Bushing	(2) 16358		
Straight Connector, T&B #302	16202		
90° Connector, T&B #XC-290	1417		
Cable Clamp, 1/2" Heyco #3328	16227		
Sheetmetal Screws	(3) 11813		
Wire Connector 73B	(10) 16354		

Drives (Open Motor)—CODE 35 - Motor Pulley, CODE 36 - Blower Pulley, CODE 37 - Belt

Open Motor HP	Motor Option AL	Voltage Option AK	Drive Option AM/EM	Motor Pulley			Blower Pulley			Average Belt Links and Type*
				PN	Model	Bore	PN	Model	Bore	
1/4, 1/3	2, 3	AK1, AK2, AK3, AK5, AK6, AK7	1, 2	4074	1VL34	1/2	111609	AK 99	1	"A-section" 3.8 ft
			3, 4	13491	1VL40	1/2	111609	AK 99	1	"A-section" 3.8 ft
			5, 6, 7	13491	1VL40	1/2	19111	AK 84	1	"A-section" 3.8 ft
			8, 9, 10, 11, 12	13491	1VL40	1/2	18797	AK 64	1	"A-section" 3.8 ft
			13, 14, 15, 16, 17	13491	1VL40	1/2	135200	AK 51	1	"A-section" 3.8 ft
1/2, 3/4, 1, 1-1/2	4, 5, 6, 7	AK1, AK2, AK3, AK5, AK6, AK7, AK8	1, 2	13580	1VL34	5/8	111609	AK 99	1	"A-section" 3.8 ft
			3, 4	7962	1VL40	5/8	111609	AK 99	1	"A-section" 3.8 ft
			5, 6, 7	7962	1VL40	5/8	19111	AK 84	1	"A-section" 3.8 ft
			8, 9, 10, 11, 12	7962	1VL40	5/8	18797	AK 64	1	"A-section" 3.8 ft
			13, 14, 15, 16, 17	7962	1VL40	5/8	135200	AK 51	1	"A-section" 3.8 ft
			18, 19, 20, 21, 22, 23, 24, 25	105476	1VL44	5/8	206125	AK 44	1	"A-section" 3.8 ft
			26, 27, 28, 29	105476	1VL44	5/8	135201	AK 39	1	"A-section" 3.8 ft
2	8	AK1, AK2, AK3, AK8	1, 2	13580	1VL34	5/8	111609	AK 99	1	"A-section" 3.8 ft
			3, 4	7962	1VL40	5/8	111609	AK 99	1	"A-section" 3.8 ft
			5, 6, 7	7962	1VL40	5/8	19111	AK 84	1	"A-section" 3.8 ft
			8, 9, 10, 11, 12	7962	1VL40	5/8	18797	AK 64	1	"A-section" 3.8 ft
			13, 14, 15, 16, 17	7962	1VL40	5/8	135200	AK 51	1	"A-section" 3.8 ft
			18, 19, 20, 21, 22, 23, 24, 25	105476	1VL44	5/8	206125	AK 44	1	"A-section" 3.8 ft
			26, 27, 28, 29, 30	105476	1VL44	5/8	135201	AK 39	1	"A-section" 3.8 ft
3	9	AK2, AK3	9, 10, 11, 12	7962	1VL40	5/8	202652	AK124	1	"A-section" 3.8 ft
			13, 14, 15, 16, 17, 18, 19	7962	1VL40	5/8	202653	AK94	1	"A-section" 3.8 ft
			20, 21, 22, 23, 24, 25, 26	7962	1VL40	5/8	10583	AK69	1	"A-section" 3.8 ft
2	8	AK5, AK6, AK7	1, 2	110125	1VP34	7/8	111609	AK 99	1	"A-section" 3.8 ft
			3, 4	106748	1VL40	7/8	111609	AK 99	1	"A-section" 3.8 ft
			5, 6, 7	106748	1VL40	7/8	19111	AK 84	1	"A-section" 3.8 ft
			8, 9, 10, 11, 12	106748	1VL40	7/8	18797	AK 64	1	"A-section" 3.8 ft
			13, 14, 15, 16, 17	106748	1VL40	7/8	135200	AK 51	1	"A-section" 3.8 ft
			18, 19, 20, 21, 22, 23, 24, 25	106758	1VL44	7/8	206125	AK44	1	"A-section" 3.8 ft
			26, 27, 28, 29, 30	106758	1VL44	7/8	135201	AK39	1	"A-section" 3.8 ft
3, 5	9, 10	AK5, AK6, AK7, AK8	9, 10, 11, 12	106748	1VL40	7/8	101414	BK130	1	"B-section" 3.8 ft
			13, 14, 15, 16, 17	106748	1VL40	7/8	202654	BK105	1	"B-section" 3.8 ft
			18, 19, 20, 21, 22	37451	1VM50	7/8	16153	AK104	1	"A-section" 3.8 ft
			23, 24, 25, 26, 27, 28, 29	37451	1VM50	7/8	19111	AK84	1	"A-section" 3.8 ft
			30, 31, 32, 33, 34, 35, 36	37451	1VM50	7/8	105483	AK69	1	"A-section" 3.8 ft
5	10	AK2, AK3	9, 10, 11, 12	7963	2VP42	1-1/8	30621	2AK124	1	"A-section" 7.6 ft
			13, 14, 15, 16, 17	111681	1VP50	1-1/8	202652	AK124	1	"A-section" 3.8 ft
			18, 19, 20, 21, 22	161444	1VP56	1-1/8	202652	AK124	1	"A-section" 3.8 ft
			23, 24, 25, 26, 27, 28, 29	111681	1VP50	1-1/8	19111	AK84	1	"A-section" 3.8 ft
			30, 31, 32, 33, 34, 35, 36	111681	1V950	1-1/8	105483	AK69	1	"A-section" 3.8 ft

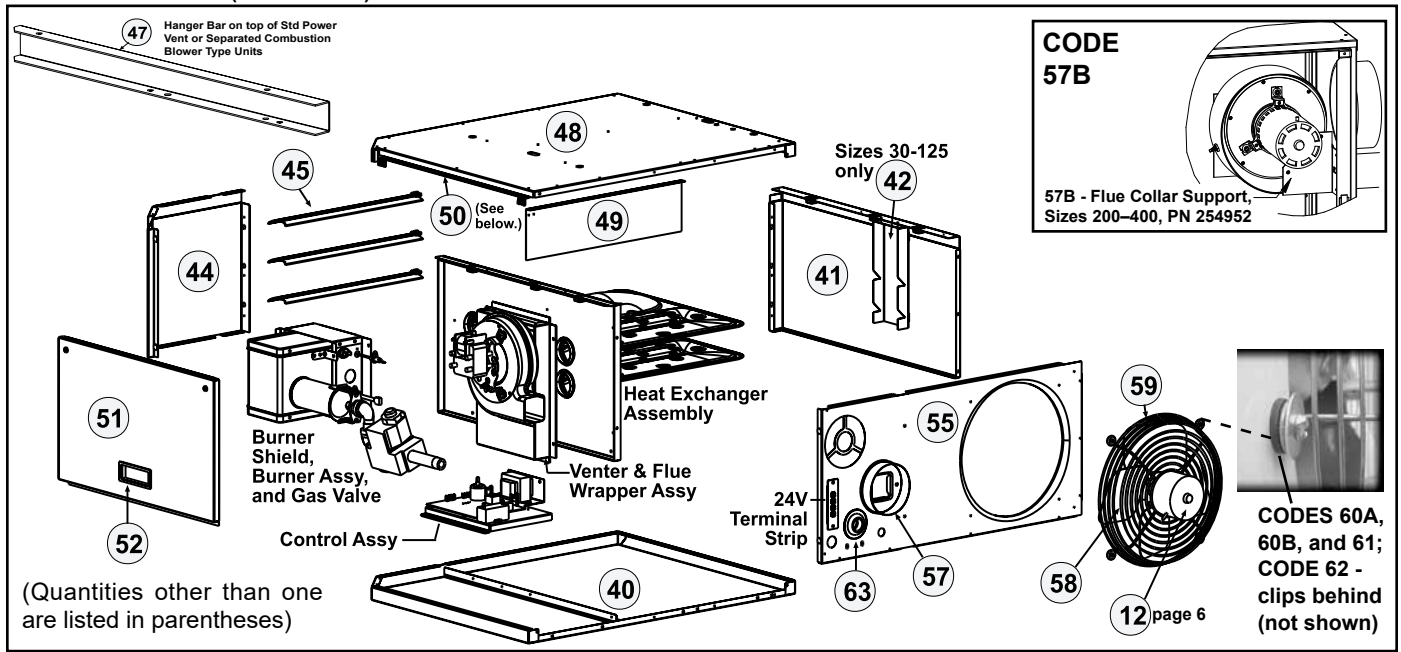
* Assume 17 belt links per foot. Code 37, "A" Belt link, PN 201809, Fenner #0408030; "B" Belt link, PN 202655, Fenner #0408050.

Drives (TEFC Motor)—CODE 35 - Motor Pulley, CODE 36 - Blower Pulley, CODE 37 - Belt

TEFC Motor HP	Motor Option AL	Voltage Option AK	Drive Option AM	Motor Pulley			Blower Pulley			Average Belt Links and Type*
				PN	Model	Bore	PN	Model	Bore	
1/3	20	AK1, AK2, AK3, AK5, AK6, AK7	1, 2	4074	1VL34	1/2	111609	AK 99	1	"A-section" 3.8 ft
			3, 4	13491	1VL40	1/2	111609	AK 99	1	"A-section" 3.8 ft
			5, 6, 7	13491	1VL40	1/2	19111	AK 84	1	"A-section" 3.8 ft
			8, 9, 10, 11, 12	13491	1VL40	1/2	18797	AK 64	1	"A-section" 3.8 ft
			13, 14, 15, 16, 17	13491	1VL40	1/2	135200	AK 51	1	"A-section" 3.8 ft
1/4	19	AK1, K2, AK3, AK5, AK6, AK7	1, 2	13580	1VL34	5/8	111609	AK 99	1	"A-section" 3.8 ft
			3, 4	7962	1VL40	5/8	111609	AK 99	1	"A-section" 3.8 ft
			5, 6, 7	7962	1VL40	5/8	19111	AK 84	1	"A-section" 3.8 ft
			8, 9, 10, 11, 12	7962	1VL40	5/8	18797	AK 64	1	"A-section" 3.8 ft
			13, 14, 15, 16, 17	7962	1VL40	5/8	135200	AK 51	1	"A-section" 3.8 ft
			18, 19, 20, 21, 22, 23, 24, 25	105476	1VL44	5/8	206125	AK44	1	"A-section" 3.8 ft
			26, 27, 28, 29	105476	1VL44	5/8	135201	AK39	1	"A-section" 3.8 ft
1/2, 3/4, 1	21, 22, 23	AK1, AK2, AK3, AK5, AK6, AK7, AK8	1, 2	13580	1VL34	5/8	111609	AK 99	1	"A-section" 3.8 ft
			3, 4	7962	1VL40	5/8	111609	AK 99	1	"A-section" 3.8 ft
			5, 6, 7	7962	1VL40	5/8	19111	AK 84	1	"A-section" 3.8 ft
			8, 9, 10, 11, 12	7962	1VL40	5/8	18797	AK 64	1	"A-section" 3.8 ft
			13, 14, 15, 16, 17	7962	1VL40	5/8	135200	AK 51	1	"A-section" 3.8 ft
1-1/2	24	AK1, AK2, AK3, AK5, AK6, AK7	1, 2	13580	1VL34	5/8	111609	AK 99	1	"A-section" 3.8 ft
			3, 4	7962	1VL40	5/8	111609	AK 99	1	"A-section" 3.8 ft
			5, 6, 7	7962	1VL40	5/8	19111	AK 84	1	"A-section" 3.8 ft
			8, 9, 10, 11, 12	7962	1VL40	5/8	18797	AK 64	1	"A-section" 3.8 ft
			13, 14, 15, 16, 17	7962	1VL40	5/8	135200	AK 51	1	"A-section" 3.8 ft
			18, 19, 20, 21, 22, 23, 24, 25	105476	1VL44	5/8	206125	AK44	1	"A-section" 3.8 ft
			26, 27, 28, 29	105476	1VL44	5/8	135201	AK39	1	"A-section" 3.8 ft
1-1/2	24	AK8	1, 2	110125	1VP34	7/8	111609	AK 99	1	"A-section" 3.8 ft
			3, 4	106748	1VL40	7/8	111609	AK 99	1	"A-section" 3.8 ft
			5, 6, 7	106748	1VL40	7/8	19111	AK 84	1	"A-section" 3.8 ft
			8, 9, 10, 11, 12	106748	1VL40	7/8	18797	AK 64	1	"A-section" 3.8 ft
			13, 14, 15, 16, 17	106748	1VL40	7/8	135200	AK 51	1	"A-section" 3.8 ft
			18, 19, 20, 21, 22, 23, 24, 25	106758	1VL44	7/8	206125	AK44	1	"A-section" 3.8 ft
			26, 27, 28, 29	106758	1VL44	7/8	135201	AK39	1	"A-section" 3.8 ft
2	25	AK5, AK6, AK7, AK8	1, 2	110125	1VP34	7/8	111609	AK 99	1	"A-section" 3.8 ft
			3, 4	106748	1VL40	7/8	111609	AK 99	1	"A-section" 3.8 ft
			5, 6, 7	106748	1VL40	7/8	19111	AK 84	1	"A-section" 3.8 ft
			8, 9, 10, 11, 12	106748	1VL40	7/8	18797	AK 64	1	"A-section" 3.8 ft
			13, 14, 15, 16, 17	106748	1VL40	7/8	135200	AK 51	1	"A-section" 3.8 ft
			18, 19, 20, 21, 22, 23, 24, 25	106758	1VL44	7/8	206125	AK44	1	"A-section" 3.8 ft
			26, 27, 28, 29	106758	1VL44	7/8	135201	AK39	1	"A-section" 3.8 ft
3	26	AK5, AK6, AK7, AK8	9, 10, 11, 12	106748	1VL40	7/8	101414	BK130	1	"B-section" 3.8 ft
			13, 14, 15, 16, 17	106748	1VL40	7/8	202654	BK105	1	"B-section" 3.8 ft
			18, 19, 20, 21, 22	37451	1VM50	7/8	16153	AK104	1	"A-section" 3.8 ft
			23, 24, 25, 26, 27, 28, 29	37451	1VM50	7/8	19111	AK84	1	"A-section" 3.8 ft
			30, 31, 32, 33, 34, 35, 36	37451	1VM50	7/8	105483	AK69	1	"A-section" 3.8 ft
3	26	AK1, AK2	9, 10, 11, 12	7963	2VP42	1-1/8	30621	2AK124	1	"A-section" 7.6 ft
			13, 14, 15, 16, 17	111681	1VP50	1-1/8	202652	AK124	1	"A-section" 3.8 ft
			18, 19, 20, 21, 22	161444	1VP56	1-1/8	202652	AK124	1	"A-section" 3.8 ft
			23, 24, 25, 26, 27, 28, 29	111681	1VP50	1-1/8	19111	AK84	1	"A-section" 3.8 ft
			30, 31, 32, 33, 34, 35, 36	111681	1VP50	1-1/8	105483	AK69	1	"A-section" 3.8 ft
5	27	AK3, AK5, AK6, AK7, AK8	9, 10, 11, 12	7963	2VP42	1-1/8	30621	2AK124	1	"A-section" 7.6 ft
			13, 14, 15, 16, 17	111681	1VP50	1-1/8	202652	AK124	1	"A-section" 3.8 ft
			18, 19, 20, 21, 22	161444	1VP56	1-1/8	202652	AK124	1	"A-section" 3.8 ft
			23, 24, 25, 26, 27, 28, 29	111681	1VP50	1-1/8	19111	AK84	1	"A-section" 3.8 ft
			30, 31, 32, 33, 34, 35, 36	111681	1VP50	1-1/8	105483	AK69	1	"A-section" 3.8 ft

*Assume 17 belt links per foot. Code 37, "A" Belt link, PN 201809, Fenner #0408030; "B" Belt link, PN 202655, Fenner #0408050.

Cabinet Parts UDAP Part No
(APD Part No)



Code	Description	Model	Size												
			30	45	60	75	100	125	150	175	200	225	250	300	350
40	Bottom Pan Assembly	All	195772 (1000039)				196025 (1000042)				196350 (1000043)				
41	Left Side Panel	All	195492* (1000003)		195493* (1000004)		195494* (1000005)		195562 (1000020)			195563 (1000021)		195564 (1000022)	
42	Heat Exchanger Support	All	196317**	196318**	196319**	196320**	196321**	196322**	Heat exchanger support and support gaskets for Sizes 150-400 are part of replacement heat exchanger (see page 19)						
43A	Heat Exchanger Support Gasket	All	(2) 236155												
43B	Sheet Metal Screw, #8-18 x 3/8"	All	195638												
44	Front Panel (if replacing on unit mfd before APR 2010, requires top panel, CODE 48)	Std Power Vent & Separated Combustion Fan Type Heaters	195489** (1000010)		195490** (1000011)		195491** (1000012)		201692 (1000044)		201693 (1000045)		201694 (1000046)		
		Std Power Vent & Separated Combustion Blower Type Heaters	201755		201756		201757		201692 (1000044)		201693 (1000045)		201694 (1000046)		
45A	Horizontal Louver	All	(3) 195314 (1000040)		(4) 195314 (1000040)		(6) 195314 (1000040)		(5) 195578 (1000041)		(7) 195578 (1000041)		(10) 195578 (1000041)		
45B	Compression Spring for Louvers	All	(3) 195046		(4) 195046		(6) 195046		(5) 195046		(7) 195046		(10) 195046		
46	Hanger Bar, right	Std Power Vent & Separated Combustion Blower Type Heaters	202744		202746	202748	202750	202752		202754		202756	202758		
	Hanger Bar, left		202743		202745	202747	202749	202751		202753		202755	202757		
47	Clip Nut (for hanging)	All	(2) 196336												
48	Top Panel, includes six (6) captive nuts (PN 96385)—as of APR 2010, includes CODE 50***	Std Power Vent & Separated Combustion Fan Type Heaters	195498** ** (1000009)				195556 (1000027)				195557 (1000029)				
		Std Power Vent & Separated Combustion Blower Type Heaters	201406 **				202944				195557				
49	Top Air Baffle	Std Power Vent & Separated Combustion Fan Type Heaters	195545	195546	195547	195548	195549	195550	—	—	—	—	—	—	—
		Std Power Vent & Separated Combustion Blower Type Heaters	—	—	—	—	—	—	202945	202946	—	—	—	—	—
50	Top Door Seal	UDAP, UDAS, UDBP, UDBS	195999 (beginning 4/2010, part of top panel, Code 48)						196225 (beginning 4/2010, part of top panel, Code 48)						

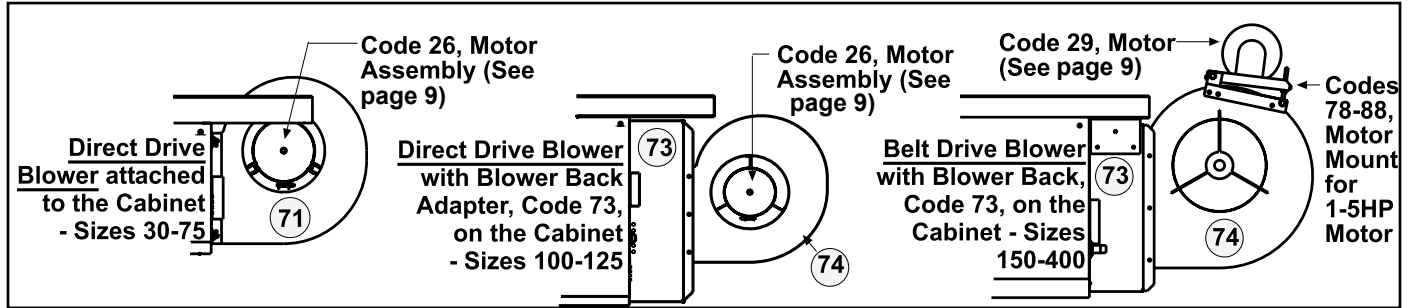
*Parts change, effective APR 2012, not interchangeable with previously manufactured part with same PN.
 **Parts change, effective 18 MAR 2003, not interchangeable with previously manufactured part with same PN.
 ***Replacing Top Panel on a unit manufactured before APR 2010 requires new CODE 44.

Cabinet Parts (cont'd) UDAP Part No
(APD Part No)

Code	Description	Model	Size														
			30	45	60	75	100	125	150	175	200	225	250	300	350	400	
51A	Access Door (door only without handle and gaskets)	Std Power Vent Fan & Blower Type Heaters	195483 (1000013)		195484 (1000014)		195485 (1000015)		195565 (1000033)			195566 (1000034)		195567 (1000035)			
		Separated Combustion Fan & Blower Type Heaters	207604		207605		207606		207607			207608		207609			
51B	Window Plug	Separated Combustion Fan & Blower Type Heaters	207525														
52	Door Handle	UDAP, UDAS, UDBP, UDDBS	196881														
53	Door Rubber	Std Power Vent Fan & Blower Type Heaters	(4) 155064														
54	Door Gaskets, Top/Bottom	Separated Combustion Fan & Blower Type Heaters	(2) 196331						(2) 201673								
	Door Gaskets, Side	Fan & Blower Type Heaters	(2) 196332		(2) 196333		(2) 196334		(2) 201674			(2) 201675		(2) 201676			
55	Rear Panel - Separated Combustion Fan Type Heater and Separated Combustion Blower Type Heater include inlet collar. (Std Power Vent Fan Model Type Heater is illustrated)	Std Power Vent Fan Type Heater	195486 (1000006)		195487 (1000007)		195488 (1000008)		196347 (1000023)		195558 (1000024)		195559 (1000025)		195560 (1000026)		
		Separated Combustion Fan Type Heater	197035		197036		197037*		197038		197039		197040		197041		
		Std Power Vent Blower Type Heater	201399		201400		196346		201789		201790		201791		201792		
		Separated Combustion Blower Type Heater	201383		201384		201385		202319		202320		202321		202322		
56	Outlet Collar Gasket	All	170048						196822								
57A	Outlet Collar (attaches with screws)	Std Power Vent Fan Type Heater w/Std Vent & Std Power Vent Blower Type Heaters	195077, 4"				195079, 5"				216950, 5"				216951, 6"		
		Std Power Vent Fan Type Heater, CV w/Option AV6	195077, 4"		195079, 5"		—		—		—		—		—		
		Separated Combustion Fan & Blower Type Heaters	195077, 4"				195079, 5"				216950, 5"				216951, 6"		
57B	Flue (Outlet) Collar Support	254952 (see Cabinet Parts illustration, top right corner page 13)															
58	Fan Blade (see motor shaft spacing on page 6)	Std Power Vent & Separated Combustion Fan Type Heaters	195644	195645	195646	195647	195648	195649	195679 (replaces 195678)	195679	195680	195681	195682	195683	209122 (replaces 195684)	209121 (replaces 195685)	
	Std Power Vent Fan Type Heater-45 Low Noise, Opt AL2B	N/A	202960		N/A												
59	Fan Guard, std spacing	Std Power Vent & Separated Combustion Fan Type Heaters	175266		175267		195047		170084			170085		170086			
	Fan Guard (AZ8) - fingerproof		260873		260874		260875		—			—		—			
60A	Fan Guard Isolator Bushing	Std Power Vent & Separated Combustion Fan Type Heaters	(4) 196349						(4) 96451								
60B	Screws for CODES 60A & 61		(4) 196330						(4) 96452								
61	Fan Guard Isolator		(4) 196348														
62	Fan Guard Clips (in back)		(4) 54633														
63	Grommet for Pipe		Separated Combustion Fan & Blower Type Heaters	102607						15021							
64	Cabinet Touchup Paint		All	201805, 11 oz spray can, white													
65	Horizontal Louver Paint	207432, 12 oz aerosol can, maroon															

*Parts change, effective 18 MAR 2003, not interchangeable with previously manufactured part with same PN.

Blower Backs and Blowers for Std Power Vent and Separated Combustion Blower Type Units



Code	Description	Size													
		30	45	60	75	100	125	150	175	200	225	250	300	350	400
70	Restrictor Assembly	201408	—	—	—	—	—	—	—	—	—	—	—	—	—
70A	Restrictor	194512	—	—	—	—	—	—	—	—	—	—	—	—	—
70B	Restrictor Angle	(3) 100892	—	—	—	—	—	—	—	—	—	—	—	—	—
70C	Sheetmetal Screw	(3) 195638	—	—	—	—	—	—	—	—	—	—	—	—	—
71	Blower Assembly	See Code 74													
71A	Blower, 9 × 6	82111													
71B	Blower Mounting Angle	(2) 201740													
71C	Teks, #10 × 1/2" long	(6) 37661													
72	Blower Back Corner Post	—	—	—	—	196239	201797	201798	201799						
73	Blower Adapter Back Assy	—	—	—	—	201403	202931	201800	201801	201802					
73A	Adapter Back Bottom	—	—	—	—	202050	202050	201718	201719	201720					
73B	Adapter Back Top	—	—	—	—	196032	196032	201715	201716	201717					
73C	Adapter Back Left Side	—	—	—	—	197253	197253	201724	201725	201726					
73D	Adapter Back Right Side	—	—	—	—	197254	197254	201721	201722	201723					
73E	Screw	—	—	—	—	(20) 195638	(34) 195638	(26) 195638	(34) 195638						
73F	Air Baffle Horizontal	—	—	—	—	(2) 196344	202934	(2) 202932	—	—	(2) 202933				
73G	Air Baffle Vertical	—	—	—	—	196345	196345	—	—	—	—	—	—	—	
73H	Hanger Support Bracket Left	—	—	—	—	—	—	202759							
73I	Hanger Support Bracket Right	—	—	—	—	—	—	202760							
73J	Bolt, 1/4" × 5/8" (Hanger Support Bracket to Adapter Back)	—	—	—	—	—	—	(6) 47252							
73K	Nut, 1/4-20"	—	—	—	—	—	—	(6) 7328							
74	Blower	See CODE 71.				201770, 10 × 10		1360, 12 × 12		100658, 15 × 11		100659, 15 × 15			
75A	Key, 1/4" square × 1-1/4" long	—	—	—	—	—	—	16099							
75B	Blower Shaft	—	—	—	—	—	—	11303, 1 × 22				100747, 1 × 23			
75C	Blower Bearings	—	—	—	—	—	—	10437, SRC-16-1"							

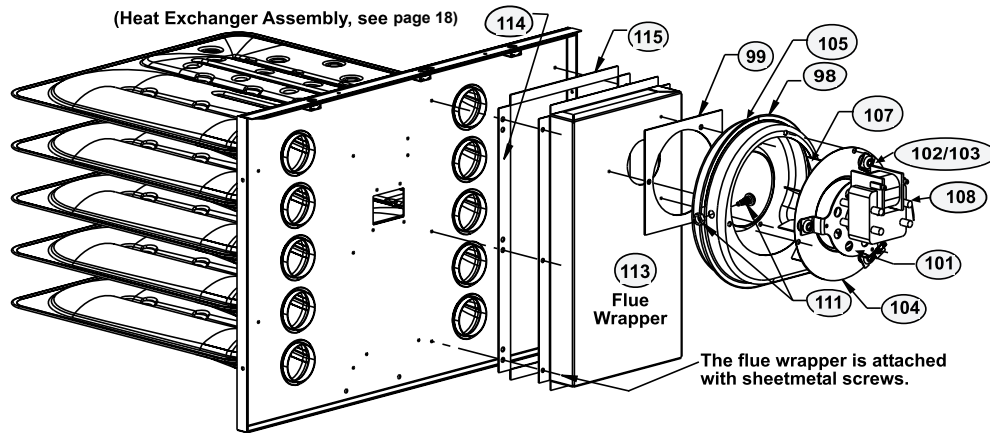
Blower Motor Mounting Components

Motor Mounting 1/4–3/4 HP Motor		150–250
76	Motor Adjustment Bracket Assembly	193996
76A	Motor Adjustment Bracket	12575
76B	Spotweld Nut, 5/16-18"	(2) 16233
76C	Hex Head Motor Adjustment, Bolt, 5/16-18 × 4" long	(2) 14668
76D	Hex Nut, 5/16-18"	(2) 1035
76E	Hex Head, Cap Screw, 1/4-20 × 3/4" long	(2) 16246
76F	Hex Nut (Kep), 1/4-20"	(2) 10650
76G	Flat Washer, 1/4"	(4) 1320
77	Hardware Bag for CODE 76	64940

Motor Mounting 1–5 HP Motor		175–200	225–250	300–400
78	Motor Mounting Plate for 1HP–5HP	202839	202840	202841
79	Motor Mounting Plate Left Support	12576		
80	Motor Mounting Plate Right Support	12577		
81	Rod Bolt, 5/16-18"	(2) 12489		
82	Hex Nut, 5/16-18"	(2) 1035		
83	Hex Nut 5/16-18 (Keps)	(6) 6554		
84	Flat Washer, 5/16"	(8) 1087		
85	Hex Head Cap Screw, 5/16-18 × 3/4" long	(6) 16247		
86	Hex Head Cap Screw, 5/16-18 × 1-1/2" long	(2) 16248		
87	Threaded Insert #ATS2-518, 5/16-18"	(4) 124260		
88	Teks, #10-16 × 1/2" long	(4) 37661		

Venter and Flue Wrapper Components

(Heat Exchanger Assembly, see page 18)

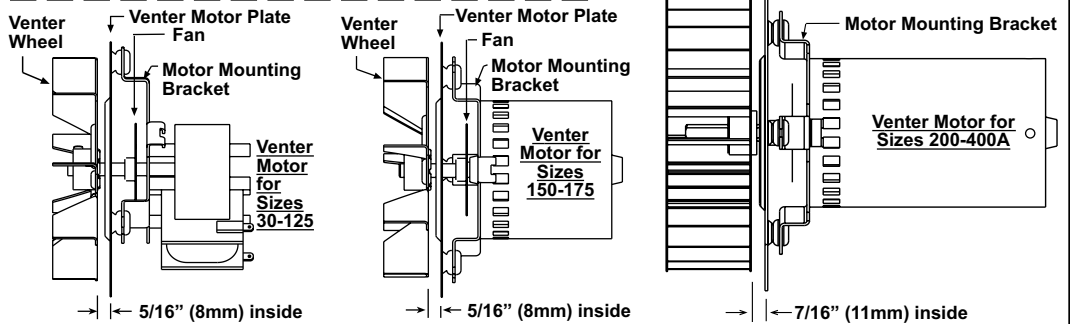


CODE 109 - Venter Motor Capacitor



See PN's below and location on page 4.

CODE 100 - Venter Motor and Wheel Assemblies showing Components and Spacing



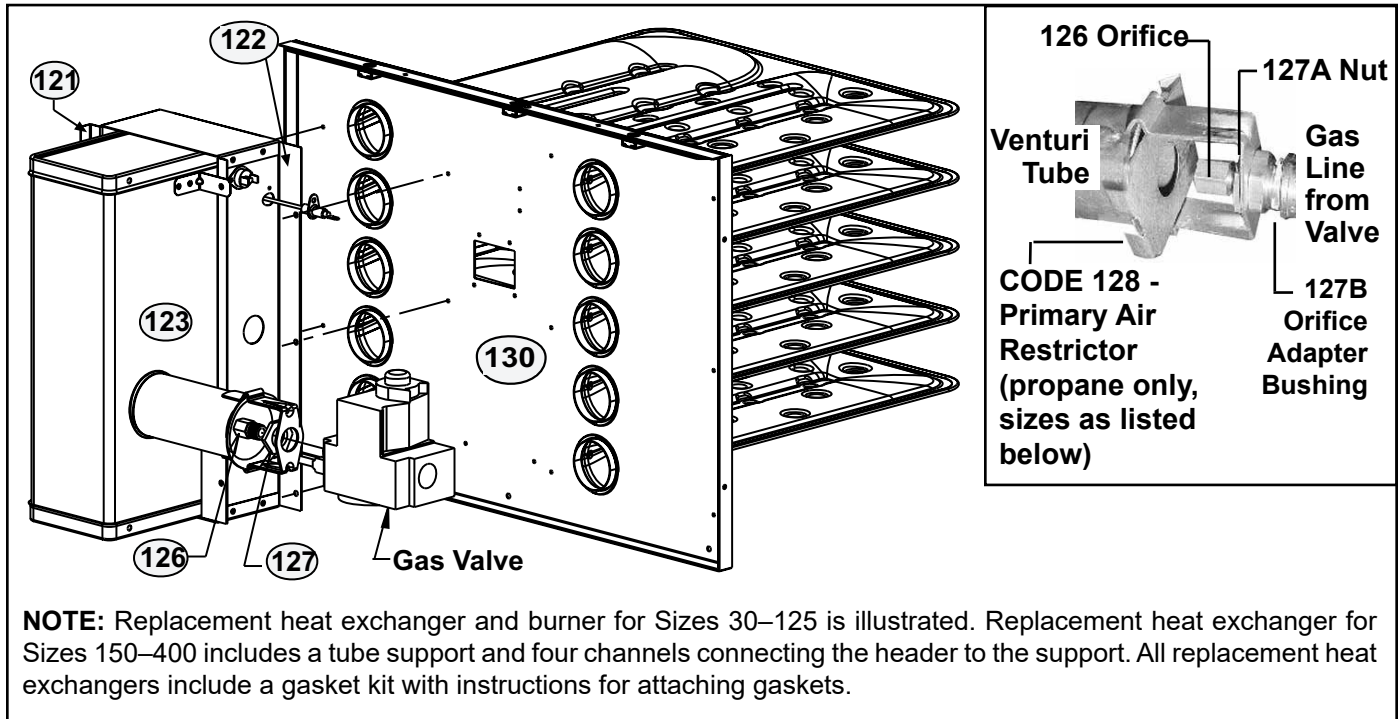
Code	Description	Model	Size														
			30	45	60	75	100	125	150	175	200	225	250	300	350	400	
98	Venter housing	All	196248							195634 prior to 7/23/09; 257029 after 7/23/09							
99	Venter housing gasket		196012							196013 prior to 7/23/09; 254935 after 7/23/09							
100	Venter motor and wheel assy (NOTE: For 460V and 575V supply use 115V venter motor)	115V	All (not w/AV6)	220779			220780			220782			220784			220786	
		208/230V/1ph	Std power vent and separated combustion fan type heaters	220781						220783			220785			220787	
		208/230V/3ph	Std power vent and separated combustion blower type heaters	N/A						220783			220785			220787	
NOTE: CODE 100 includes Codes 101, 102, 103A, 103B, 104, 106A, 106B, 107, 108A or B, and 110.																	
101	Venter motor bracket	All	195072*				—		—		195072*						
102	Venter motor isolator		(3) 194534														
103A	Venter motor isolator bushing		(3) 194803														
103B	Venter motor isolator bushing screw		(3) 113275														
104	Venter motor plate		194806							194910							
105	Venter motor plate gasket		201472														
106A	Venter motor clip		Not required														
106B	Venter motor clip screw		Not required														
107	Venter wheel	All models except std power vent fan type heater with CV	195036							195666							
		Std power vent fan type heater with AV6 opt (common vent)	211819			—		—		—		—		—		—	

* Not needed with 236160 through 236163 venter motors.

Venter and Flue Wrapper Components (cont'd)

Code	Description	Model	Size																					
			30	45	60	75	100	125	150	175	200	225	250	300	350	400								
108A	Venter motor only (NOTE: 460V and 575V supply use 115V venter motor)	115V	All				262444 (on units equipped with Broad Ocean motor 1005553, replace with kit 262444)			236157 (replaces 196036)		236158			236159									
		115V w/AV6	Std power vent fan type heater	217032 (on units equipped with Broad Ocean motor 1005552, replace with kit 1020425)			262444 (on units equipped with Broad Ocean motor 1005553, replace with kit 262444)		—		—		—		—		—							
		208/230V/1ph	Std power vent and separated combustion fan type heaters	236160 (replaces 196827)			236161 (replaces 196828)		236162 (replaces 196829)		236163 (replaces 196830)													
		208/230V/3ph	Std power vent and separated combustion blower type heaters	N/A			236161 (replaces 196828)		236162 (replaces 196829)		236163 (replaces 196830)													
108B	Venter motor w/opt D10&14 DDC control	115V	Std power vent and separated combustion fan type heaters	N/A			236157 (replaces 207992)		236157 (replaces 196036)		208194		236158		236159		207892							
		208/230V/1ph		N/A			236161 (replaces 196828)		236162 (replaces 196829)		236163 (replaces 196830)													
109A	Venter motor capacitor (in control compartment; see page 4)	115V	All	—	—	—	—	—	—	195641, 4MFD, 400 VAC*		195643, 7.5MFD, 400 VAC			195642, 5MFD, 400 VAC									
		208-230V/1ph	Std power vent and separated combustion fan type heaters	—	—	—	—	—	—	236180, 3MFD, 400 VAC**														
	NOTE: For 460V and 575V supply use 115V venter motor	208-230V/3ph	Std power vent and separated combustion blower type heaters	N/A			195641, 4MFD, 400 VAC		195642, 5MFD, 400 VAC		195641, 4MFD, 400 VAC													
109B	Venter motor capacitor w/opt D10&14 DDC	115V	Std power vent and separated combustion fan type heaters	N/A			195642, 5MFD, 400 VAC*		195641, 4MFD, 400 VAC*		195643			195642		195643								
		208/230V/1ph		N/A			236180, 3MFD, 400 VAC**		195641		195642			195641										
110	Venter motor cooling fan	All	195766						196035															
111	Static pressure tap		116043																					
112	Silicone rubber tubing		148986, 6" long						148251, 12"		205837, 16"		130673, 20"		157904, 22"									
113	Flue wrapper assembly (sizes 200–400 manufactured prior to 7/23/09)	Std power vent fan type heater and std power vent blower type heater	196000	196001	196002	196003	196004	196005	201473	204461	201475	201476	201477	201478	201481	202721								
		Std power vent fan type heater with option AV6	196802	196803	196804	196805	196806	—	—	—	—	—	—	—	—	—								
		Separated combustion fan type heater	196807	196808	196809	196810	196811	196812	201473	204461	201475	201476	201477	201478	201481	202721								
		Separated combustion blower type heater	202715	202716	202717	202718	202719	196812	201473	204461	201475	201476	201477	201478	201481	202721								
	Flue wrapper assembly (sizes 200–400 manufactured after 7/23/09)	Std power vent fan type heater and std power vent blower type heater	Same as PN's listed above for sizes 30–175						254944		254945		254946		254947		254948							
Std power vent fan type heater with option AV6		Same as PN's listed above for sizes 30–175						—		—		—		—		—								
Separated combustion fan type heater		Same as PN's listed above for sizes 30–175						254944		254945		254946		254947		254948								
	Separated combustion blower type heater	Same as PN's listed above for sizes 30–175						254944		254945		254946		254947		254948								
114	Side flue wrapper gasket	All (QTY 2)	170029		170030		170031		170033		170034		170035		170042		170043		170044		170036		170037	
115	Top/bottom flue wrapper gasket		170038						170039															
*On units with motor PN 196036 manufactured before MAR 2015.																								
**On units with motor PN 236157 manufactured after MAR 2015.																								

Heat Exchanger and Burner Assemblies



Burner Assembly (Quantities Other than One are Listed in Parentheses)

Code	Description	Model	Size															
			30	45	60	75	100	125	150	175	200	225	250	300	350	400		
121	Burner Shield Front Side	Std Power Vent and Separated Combustion Fan Type Heaters				222103										222112		
		Std Power Vent and Separated Combustion Blower Type Heaters	222100	222101	222102		222105	222106	222107		222108	222109	222110	222111		222112	222113	
122	Burner Shield Rear Side	Std Power Vent & Separated Combustion Fan Type Heaters	222127	222128	222129	222130	222131	222132								222139		
		Std Power Vent and Separated Combustion Blower Type Heaters								222133	222134	222136	222137	222138		222139	222140	
123	Burner Assembly	Std Power Vent and Separated Combustion Fan Type Heaters	195231	195232	195233	195234	195235	195236	195237		195238	195239	195240	195241	195242	195243		
		Std Power Vent and Separated Combustion Blower Type Heaters	195231	195232	195233	202642	195235	195236	195237		195238	195239	195240	195241	195242	195243		
123A	Burner End Gaskets	All	(2) 195667						(2) 195668									
124	Burner Baffle	Std Power Vent and Separated Combustion Fan Type Heaters	—	—	—	—	(2) 196750								(2) 197238	(2) 197239	—	
		Std Power Vent and Separated Combustion Blower Type Heaters	—	—	(2) 196749	(2) 202682 (2) 202683 (2) 202684	(2) 196750	(2) 196751	—						(2) 197238	(2) 197239	—	
125	Burner Support	All	(3) 196597 196752	(4) 196597			(6) 196597		(4) 196598			(6) 196598						
126	Burner Orifice	Natural Gas	196853 #37	196838 #30	196839 3.7MM	196855 #19	120158 #10	196840 #4	131581 5.9MM	196891 E	196892 6.8MM	221121 6.95MM	208255 L	221122 8.0MM	221123 8.7MM	196897 9.6MM		
		Propane	196844 1.6MM	196845 #48	196846 2.3MM	196852 #39	196854 3.0MM	196847 3.2MM	196898 9/64"	196899 #24	196900 4.1MM	196901 11/64"	196902 #14	196903 #8	196904 #3	196905 5.8MM		
127A	1/2" Pipe Nut		165702															
127B	Orifice Adapter Bushing		165701, 1/2" x 1/4						194809, 3/4" x 3/8"									

Heat Exchanger and Burner Assemblies (cont'd)

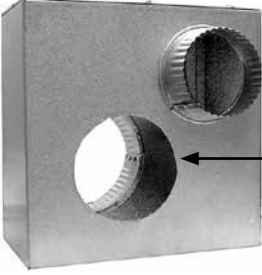
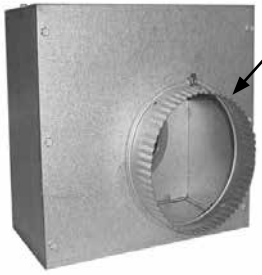
Burner Assembly (cont'd)

Code	Description		Model	Size												
				30	45	60	75	100	125	150	175	200	225	250	300	350
128	Primary Air Restrictor	Propane only	Std Power Vent & Separated Combustion Fan Type Heaters	196687	196688			—	196688	—	—	—	—	—	—	—
			Std Power Vent and Separated Combustion Blower Type Heaters	203078	202051		196688			—	—	—	—	—	—	—
129	Gas Conversion Kits	Natural to Propane	Std Power Vent and Separated Combustion Fan Type Heaters	269835	269836		269837	269838		269839			201732			
			Std Power Vent and Separated Combustion Blower Type Heaters	269840	269841			269838		269839			201732			
		Propane to Natural	All	269851	269852		269853	269854		269855			201738			

Heat Exchanger Assembly (Quantities Other than One are Listed in Parentheses)


Code	Description			Size												
				30	45	60	75	100	125	150	175	200	225	250	300	350
130	Heat Exchanger Assembly with Gasket Kit	Std Power Vent and Separated Combustion Fan Type Unit Heaters	Aluminized	201628	201629	201630	201631	201632	201633	201634	201635	201636	201637	201638	201639	201640
			409 SS	201654	201655	201656	201657	201658	201659	201660	201661	201662	201663	201664	201665	201666
			316 SS	201641	201642	201643	201644	201645	201646	201647	201648	201649	201650	201651	201652	201653
		Std Power Vent and Separated Combustion Blower Type Unit Heaters	Aluminized	202623	202624	202625	202626	202627	202628	201634	201635	201636	201637	201638	201639	201640
			409 SS	202629	202630	202631	202632	202633	202634	201660	201661	201662	201663	201664	201665	201666
			316 SS	202635	202636	202637	202638	202639	202640	201647	201648	201649	201650	201651	201652	201653
130A	Gasket Kit for Heat Exchanger			201667		201668		201669		201670		201671	221214	201672		

Venting and Combustion Air Kits—Separated Combustion Fan and Blower Type Models



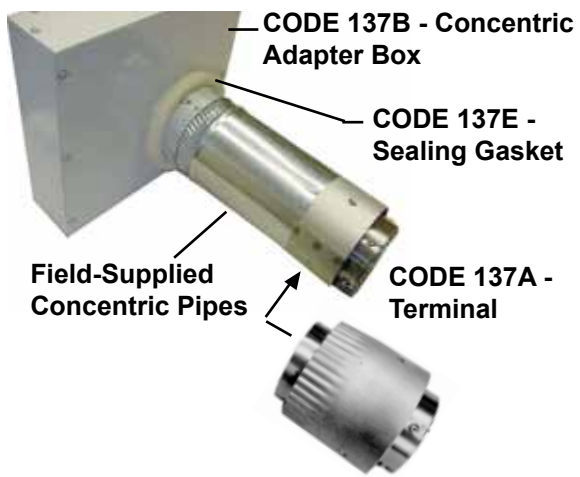
<p>CODES 135A and 136A - Concentric Adapter Box Assembly</p>	<p><u>View of Heater Connection Side</u></p>	<p><u>View of Vent Terminal Connection Side</u></p>
		
	<p>Collar for attaching the combustion air pipe from the heater</p> <p>Opening for the vent pipe. The vent pipe extends from the terminal, through the outside air pipe, through the box, and connects to the vent run.</p>	<p>Collar for attaching the outside portion of the combustion air pipe (the vent pipe runs concentric through the outside portion of the combustion air pipe)</p>

<p>CODE 135B - Exhaust Terminal (Vertical Kit)</p> 	<p>CODE 135C - Combustion Air Inlet (Vertical Kit)</p> 	<p>CODE 136B - Exhaust Grill (Horizontal Kit)</p> 	<p>CODE 136C - Inlet Guard (Horizontal Kit)</p> 
---	---	---	--

<p>CODE 135 - Vertical Vent Terminal/Combustion Air Package (Same as Option CC2) includes:</p> <table border="1" style="width: 100%; border-collapse: collapse;"> <thead> <tr> <th>Code</th> <th>Qty</th> <th>Size</th> <th>PN</th> <th>Description</th> </tr> </thead> <tbody> <tr> <td rowspan="2">135</td> <td rowspan="2">1</td> <td>30-125</td> <td>205895</td> <td rowspan="2">Complete Vertical Vent Kit (Same as Option CC2)</td> </tr> <tr> <td>150-400</td> <td>205896</td> </tr> <tr> <td rowspan="2">135A</td> <td rowspan="2">1</td> <td>30-125</td> <td>205884</td> <td rowspan="2">Concentric Adapter Box Assembly</td> </tr> <tr> <td>150-400</td> <td>205885</td> </tr> <tr> <td rowspan="2">135B</td> <td rowspan="2">1</td> <td>30-125</td> <td>110051</td> <td rowspan="2">Exhaust (Vent) Terminal</td> </tr> <tr> <td>150-400</td> <td>110052</td> </tr> <tr> <td rowspan="2">135C</td> <td rowspan="2">1</td> <td>30-125</td> <td>155635</td> <td rowspan="2">Combustion Air Inlet</td> </tr> <tr> <td>150-400</td> <td>53330</td> </tr> <tr> <td>136D</td> <td>2</td> <td>30-400</td> <td>207232</td> <td>Concentric Adapter Box Bracket</td> </tr> <tr> <td>135E</td> <td>1</td> <td>30-400</td> <td>53335</td> <td>Tube of High Temperature (450°F) Silicone Sealant</td> </tr> </tbody> </table>	Code	Qty	Size	PN	Description	135	1	30-125	205895	Complete Vertical Vent Kit (Same as Option CC2)	150-400	205896	135A	1	30-125	205884	Concentric Adapter Box Assembly	150-400	205885	135B	1	30-125	110051	Exhaust (Vent) Terminal	150-400	110052	135C	1	30-125	155635	Combustion Air Inlet	150-400	53330	136D	2	30-400	207232	Concentric Adapter Box Bracket	135E	1	30-400	53335	Tube of High Temperature (450°F) Silicone Sealant	<p>CODE 136 - Horizontal Vent Terminal/Combustion Air Package (Same as Option CC6) includes:</p> <table border="1" style="width: 100%; border-collapse: collapse;"> <thead> <tr> <th>Code</th> <th>Qty</th> <th>Size</th> <th>PN</th> <th>Description</th> </tr> </thead> <tbody> <tr> <td rowspan="2">136</td> <td rowspan="2">1</td> <td>30-125</td> <td>211762</td> <td rowspan="2">Complete Horizontal Vent Kit (same as Option CC6) (as of 11/2005; see below)</td> </tr> <tr> <td>150-400</td> <td>211763</td> </tr> <tr> <td rowspan="2">136A</td> <td rowspan="2">1</td> <td>30-125</td> <td>211789</td> <td rowspan="2">Concentric Adapter Box Assembly</td> </tr> <tr> <td>150-400</td> <td>211790</td> </tr> <tr> <td rowspan="2">136B</td> <td rowspan="2">1</td> <td>30-125</td> <td>211791</td> <td rowspan="2">Exhaust Grill</td> </tr> <tr> <td>150-400</td> <td>211792</td> </tr> <tr> <td rowspan="2">136C</td> <td rowspan="2">1</td> <td>30-125</td> <td>151755</td> <td rowspan="2">Inlet Guard</td> </tr> <tr> <td>150-400</td> <td>124940</td> </tr> <tr> <td>136D</td> <td>8</td> <td>30-400</td> <td>37661</td> <td>#10-16 x 1/2" lg Screws to attach guard & grill</td> </tr> <tr> <td>136E</td> <td>2</td> <td>30-400</td> <td>207232</td> <td>Concentric Adapter Box Bracket</td> </tr> <tr> <td>136F</td> <td>1</td> <td>30-400</td> <td>53335</td> <td>Tube of High Temperature (450°F) Silicone Sealant</td> </tr> </tbody> </table>	Code	Qty	Size	PN	Description	136	1	30-125	211762	Complete Horizontal Vent Kit (same as Option CC6) (as of 11/2005; see below)	150-400	211763	136A	1	30-125	211789	Concentric Adapter Box Assembly	150-400	211790	136B	1	30-125	211791	Exhaust Grill	150-400	211792	136C	1	30-125	151755	Inlet Guard	150-400	124940	136D	8	30-400	37661	#10-16 x 1/2" lg Screws to attach guard & grill	136E	2	30-400	207232	Concentric Adapter Box Bracket	136F	1	30-400	53335	Tube of High Temperature (450°F) Silicone Sealant
Code	Qty	Size	PN	Description																																																																																								
135	1	30-125	205895	Complete Vertical Vent Kit (Same as Option CC2)																																																																																								
		150-400	205896																																																																																									
135A	1	30-125	205884	Concentric Adapter Box Assembly																																																																																								
		150-400	205885																																																																																									
135B	1	30-125	110051	Exhaust (Vent) Terminal																																																																																								
		150-400	110052																																																																																									
135C	1	30-125	155635	Combustion Air Inlet																																																																																								
		150-400	53330																																																																																									
136D	2	30-400	207232	Concentric Adapter Box Bracket																																																																																								
135E	1	30-400	53335	Tube of High Temperature (450°F) Silicone Sealant																																																																																								
Code	Qty	Size	PN	Description																																																																																								
136	1	30-125	211762	Complete Horizontal Vent Kit (same as Option CC6) (as of 11/2005; see below)																																																																																								
		150-400	211763																																																																																									
136A	1	30-125	211789	Concentric Adapter Box Assembly																																																																																								
		150-400	211790																																																																																									
136B	1	30-125	211791	Exhaust Grill																																																																																								
		150-400	211792																																																																																									
136C	1	30-125	151755	Inlet Guard																																																																																								
		150-400	124940																																																																																									
136D	8	30-400	37661	#10-16 x 1/2" lg Screws to attach guard & grill																																																																																								
136E	2	30-400	207232	Concentric Adapter Box Bracket																																																																																								
136F	1	30-400	53335	Tube of High Temperature (450°F) Silicone Sealant																																																																																								

<p>Replacement Parts for Horizontal Vent Terminal/Combustion Air Package (Option CC6) prior to 11/2005</p>	<table border="1" style="width: 100%; border-collapse: collapse;"> <thead> <tr> <th>Code</th> <th>Qty</th> <th>Size</th> <th>PN</th> <th>Description</th> </tr> </thead> <tbody> <tr> <td rowspan="2">136G</td> <td rowspan="2">1</td> <td>30-125</td> <td>205884</td> <td rowspan="2">Concentric Adapter Box Assembly</td> </tr> <tr> <td>150-400</td> <td>205885</td> </tr> <tr> <td rowspan="2">136H</td> <td rowspan="2">1</td> <td>30-125</td> <td>155096</td> <td rowspan="2">Screened Exhaust Assembly</td> </tr> <tr> <td>150-400</td> <td>53316</td> </tr> <tr> <td rowspan="2">136J</td> <td rowspan="2">1</td> <td>30-125</td> <td>151755</td> <td rowspan="2">Inlet Guard</td> </tr> <tr> <td>150-400</td> <td>124940</td> </tr> <tr> <td>136K</td> <td>2</td> <td>30-400</td> <td>207232</td> <td>Concentric Adapter Box Bracket</td> </tr> </tbody> </table>	Code	Qty	Size	PN	Description	136G	1	30-125	205884	Concentric Adapter Box Assembly	150-400	205885	136H	1	30-125	155096	Screened Exhaust Assembly	150-400	53316	136J	1	30-125	151755	Inlet Guard	150-400	124940	136K	2	30-400	207232	Concentric Adapter Box Bracket	<p>CODE 136H - Screened Exhaust Assembly (Horizontal Kit)</p> 
Code	Qty	Size	PN	Description																													
136G	1	30-125	205884	Concentric Adapter Box Assembly																													
		150-400	205885																														
136H	1	30-125	155096	Screened Exhaust Assembly																													
		150-400	53316																														
136J	1	30-125	151755	Inlet Guard																													
		150-400	124940																														
136K	2	30-400	207232	Concentric Adapter Box Bracket																													

CODE 137 - Aesthetic Horizontal Concentric Vent/Combustion Air Kit—Separated Combustion Fan & Blower Type Models—Sizes 30, 45, 60, and 75 (Same as Option CC14)

<table border="1" style="width: 100%; border-collapse: collapse;"> <thead> <tr> <th colspan="4">Package PN 209343 (Same as Option CC14)</th> </tr> <tr> <th>Code</th> <th>PN</th> <th>Qty</th> <th>Description</th> </tr> </thead> <tbody> <tr> <td>137A</td> <td>208994</td> <td>1</td> <td>Assembled Vent/Combustion Air Terminal</td> </tr> <tr> <td>137B</td> <td>209320</td> <td>1</td> <td>Concentric Adapter Box</td> </tr> <tr> <td>137C</td> <td>209337</td> <td>2</td> <td>Mounting Brackets</td> </tr> <tr> <td>137D</td> <td>195638</td> <td>6</td> <td>Sheetmetal Screws #8-18 x 3/8"</td> </tr> <tr> <td>137E</td> <td>209338</td> <td>1</td> <td>Sealing Gasket</td> </tr> <tr> <td>137F</td> <td>53335</td> <td>1</td> <td>Clear Sealant, #732, 3 oz tube</td> </tr> </tbody> </table> <p>*Example of a Finished Vinyl Siding Installation</p>  <p>*Example of a Finished Brick Wall Installation</p>  <p>*Field-supplied parts required.</p>	Package PN 209343 (Same as Option CC14)				Code	PN	Qty	Description	137A	208994	1	Assembled Vent/Combustion Air Terminal	137B	209320	1	Concentric Adapter Box	137C	209337	2	Mounting Brackets	137D	195638	6	Sheetmetal Screws #8-18 x 3/8"	137E	209338	1	Sealing Gasket	137F	53335	1	Clear Sealant, #732, 3 oz tube	 <p>CODE 137B - Concentric Adapter Box</p> <p>CODE 137E - Sealing Gasket</p> <p>Field-Supplied Concentric Pipes</p> <p>CODE 137A - Terminal</p>
Package PN 209343 (Same as Option CC14)																																	
Code	PN	Qty	Description																														
137A	208994	1	Assembled Vent/Combustion Air Terminal																														
137B	209320	1	Concentric Adapter Box																														
137C	209337	2	Mounting Brackets																														
137D	195638	6	Sheetmetal Screws #8-18 x 3/8"																														
137E	209338	1	Sealing Gasket																														
137F	53335	1	Clear Sealant, #732, 3 oz tube																														

Accessories/Options

CODE 140 - High Altitude Pressure Switch Kit—Above 6000 ft/1830M Elevation (Same as Option DJ20, DJ21)—Std Power Vent and Separate Combustion Fan Type and Blower Type Models as Listed

See pressure switch locations in illustrations on pages 4 and 5.



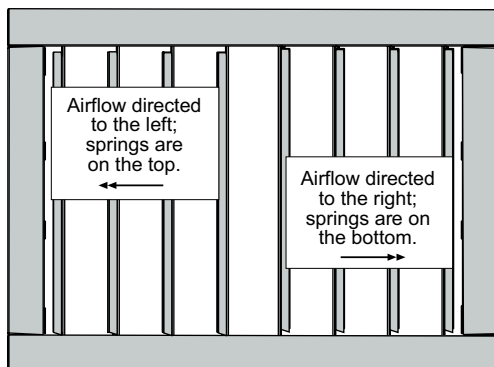
	Size	30	45	60	75	100	125	150	175	200	225	250	300	350 & 400		
		before 7/23/09		after 7/23/09												
Option DJ20 installed on a Std Power Vented Fan- Type Unit Heater	Pkg PN	197117		197118			197117			201162			201163	201162		
	High Altitude Switch PN	197031		197032			197031			201160			201161	201160		
	Negative Pressure OFF Setpoint "w.c.	0.35		0.45			0.35			1.0			1.30	1.0		
	Label color	Purple		Pink			Purple			Brown			White	Brown		
Option DJ21 installed on a Std Power Vent Fan Type Unit Heater with Option AV6 for Common Venting	Size	30	45	60	75	100										
	Pkg PN	197119	197118	197120		197121										
	High Altitude Switch PN	197029	197032	196362		196388										
	Negative Pressure OFF Setpoint "w.c.	0.60	0.45	0.55		0.50										
Label color	Lt Blue	Pink	White		Orange											
Option DJ20 installed on a Separated Combustion Fan- Type Unit Heater	Size	30	45	60	75	100	125	150	175	200	225	250	300	350 & 400		
	before 7/23/09		after 7/23/09													
	Pkg PN	197119			197121		197205	197117		201162			201163	201162		
	High Altitude Switch PN	197029			196388		197030	197031		201160			201161	201160		
Differential Pressure OFF Setpoint "w.c.	0.60			0.50		0.40	0.35		1.0			1.30	1.0			
Label color	Lt. Blue			Orange		Green	Purple		Brown			White	Brown			
Option DJ20 installed on a Std Power Vented Blower-Type High Static Unit Heater	Size	30	45	60	75	100	125	150	175	200	225	250	300	350 & 400		
	before 7/23/09		after 7/23/09													
	Pkg PN	197117		197118			197117			201162			201163	201162		
	High Altitude Switch PN	197031		197032			197031			201160			201161	201160		
Negative Pressure OFF Setpoint "w.c.	0.35		0.45			0.35			1.0			1.30	1.0			
Label color	Purple		Pink			Purple			Brown			White	Brown			
Option DJ20 installed on a Separated Combustion Blower-Type High Static Unit Heater	Size	30	45	60	75	100	125	150	175	200	225	250	300	350 & 400		
	before 7/23/09		after 7/23/09													
	Pkg PN	197117	197118	202103	197118	197117	197205	197117		201162			201163	201162		
	High Altitude Switch PN	197031	197032	196362	197032	197031	197030	197031		201160			201161	201160		
Differential Pressure OFF Setpoint "w.c.	0.35	0.45	0.55	0.45	0.35	0.40	0.35		1.0			1.30	1.0			
Label color	Purple	Pink	White	Pink	Purple	Green	Purple		Brown			White	Brown			

CODE 141 - Vent Cap—Std Power Vent Fan Type & Std Power Vent Blower Type Models (Same as Option CC1)



Code	Size	30	45	60	75	100	125	150	175	200	225	250	300	350	400
140A	Vent Cap for Std Power Vent Fan & Blower Type Heaters	111848, 4"				111849, 5"				111850, 6"					
140B	Vent Cap for Std Power Vent Fan Type Heater with Option AV6 for common venting	111848, 4"	111849, 5"	—	—	—	—	—	—	—	—	—	—	—	—

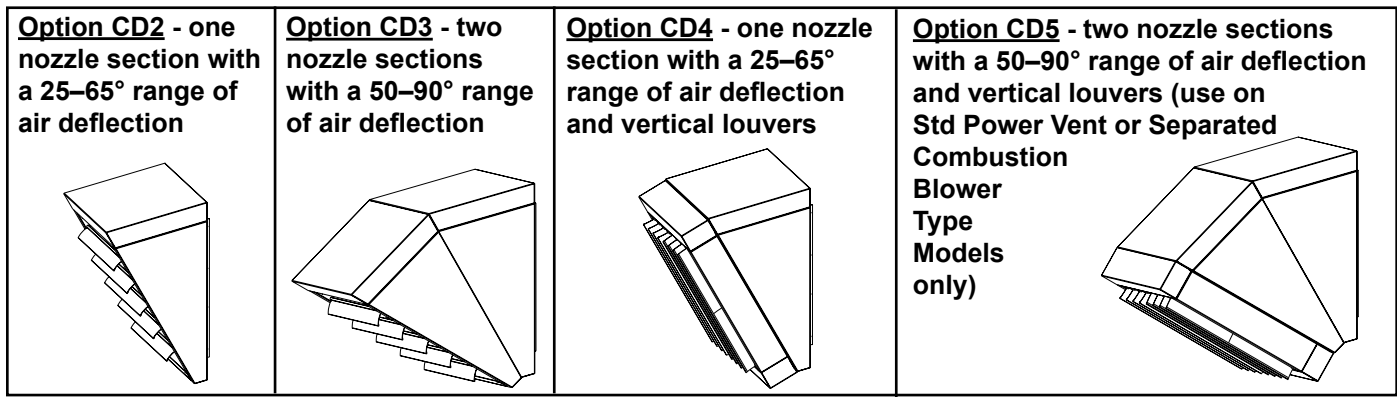
CODE 142 - Vertical Louvers (Same as Option CD1)—All Models



Install and adjust vertical louvers to achieve desired airflow pattern.

Size	30, 45	60, 75	100, 125	150, 175, 200	225, 250	300, 350, 400
Option Pkg PN	197097	197098	197099	201199	201200	201201
<i>Components</i>						
Louver Frame Top and Bottom	(2) 197056			(2) 197189		(2) 197190
Louver Frame Sides	(2)197057	(2)197058	(2)197059	(2)197186	(2)197187	(2)197188
Screws	(20) 195638, #8-18 x 3/8" long, AB point, slotted indented serrated hex washer head					
Louvers	(5)196232	(5)196231	(5)196233	(8)196572	(8)196573	(8)195315
Compression Springs	(5)195046	(5)195046	(5)195046	(8)195046	(8)195046	(8)195046

CODE 143 - Downturn Nozzles (Same as Options CD2, CD3, CD4, CD5)



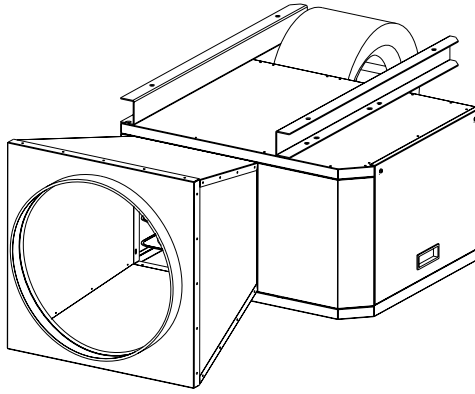
Size	30, 45	60, 75	100, 125	150, 175, 200	225, 250	300, 350, 400
Option CD2 Pkg PN	197103	197104	197105	201202	201203	201204
Nozzle Section Right Side	(1) 196990	(1) 196991	(1) 196992	(1) 197173	(1) 197174	(1) 197175
Nozzle Section Left Side	(1) 196993	(1) 196994	(1) 196995	(1) 197176	(1) 197177	(1) 197178
Nozzle Section Top	(1) 196987	(1) 196988	(1) 196989	(1) 197170	(1) 197171	(1) 197172
Nozzle Bracket	—	—	—	(2) 201708		(2) 201709
Nozzle Section Bottom		(1) 196996		(1) 196997	—	(1) 197179
Screws, #8-18 × 3/8" long AB point, slotted indented serrated hex washer head		(14) 195638			(16) 195638	
Option CD4 Pkg PN	197114	197115	197116	201208	201209	201210
Same components as Option CD2 above PLUS						
Vertical Louver	(5) 196232	(5) 196231	(5) 196233	(8) 196572	(8) 196573	(8) 195315
Compression Spring	(5) 195046	(5) 195046	(5) 195046	(8) 195046	(8) 195046	(8) 195046
Louver Top and Bottom Support		(2) 197056		(2) 197189		(2) 197190
Louver Frame Side	(2) 197057	(2) 197058	(2) 197059	(2) 197186	(2) 197187	(2) 197188
Screws	(20) 195638, #8-18 × 3/8" long AB point, slotted indented serrated hex washer head					
Option CD3 Pkg PN	197111	197112	197113	201205	201206	201207
Nozzle Section Right Side	(2) 196990	(2) 196991	(2) 196992	(2) 197173	(2) 197174	(2) 197175
Nozzle Section Left Side	(2) 196993	(2) 196994	(2) 196995	(2) 197176	(2) 197177	(2) 197178
Nozzle Section Top	(2) 196987	(2) 196988	(2) 196989	(2) 197170	(2) 197171	(2) 197172
Nozzle Bracket	—	—	—	(2) 201708		(2) 201709
Nozzle Section Bottom		(2) 196996		(2) 196997		(2) 197179
Screws, #8-18 × 3/8" long AB point, slotted indented serrated hex washer head		(28) 195638			(30) 195638	
Option CD5 Pkg PN	202094	202095	202096	202097	202098	202099
Same components as Option CD3 above PLUS						
Vertical Louver	(5) 196232	(5) 196231	(5) 196233	(8) 196572	(8) 196573	(8) 195315
Compression Spring				(8) 195046		
Louver Top and Bottom Support		(2) 197056		(2) 197189		(2) 197190
Louver Frame Side	(2) 197057	(2) 197058	(2) 197059	(2) 197186	(2) 197187	(2) 197188
Screws	(22) 195638, #8-18 × 3/8" long AB point, slotted indented serrated hex washer head					

CODE 144 - Duct Flange, Std Power Vent and Separated Combustion Blower Type Models (Same as Option CD9)

Size	30, 45	60, 75	100, 125	150, 175, 200	225, 250	300, 350, 400
Option Pkg PN	202909	202910	202911	202912	202913	202914
Components (qty in parentheses):						
Duct Flange Section (Side & Top / Side & Bottom)	(2) 201750	(2) 201751	(2) 201752	(2) 201813	(2) 201814	(2) 201815
Sheetmetal Screws, #10 × 1/2"	(16) 11813	(14) 11813	(16) 11813	(18) 11813		

Accessories/Options (cont'd)

**CODE 145 - Polytube Adapter,
for Std Power Vent & Separated
Combustion Blower Type Model
Sizes 75-400 (Same as Option CD11)**



Model Sizes	75	100, 125	150, 175, 200	225, 250	300, 350, 400
Option Pkg PN	203086	203087	203088	203089	203090
Components:					
Adapter Top/Bottom	(2) 202962	(2) 202964	(2) 202966	(2) 202968	(2) 202970
Adapter Side	(2) 202961	(2) 202963	(2) 202965	(2) 202967	(2) 202969
Discharge Panel Assy	101249		101250		
Discharge Duct Collar Clamp	101499		146463		
Sheetmetal Screws, #10 × 1/2" long	(52) 11813				
Sheetmetal Screw, #10 × 3/4" long	20859		—		
Hex Head Screw, 1/4-20 × 1-1/2" long	—		51231		
Hex Nuts, 1/4-20"	—		7328		
Wing Nut, 1/4-20"	—		107246		

**CODES 146 and 147 - Guards for Std Power Vent or Separated Combustion Blower Type Units
(Same as Option CD10 and CD12)**



**CODE 146,
Blower Inlet
Guard in CD10
and CD12**



**CODE 147, Belt
Guard in
Option CD10**

Option CD12 for Std Power Vent & Separated Combustion Blower Type Heater Sizes 30-125	Qty	PN
Option Pkg PN		114548
Blower Inlet Guard	1	102474
Screws, #10-16 × 1/2" long	4	37661

Option CD10, Belt & Blower Guards	150-200		225-400	
Option Pkg PN	202316		202317	
Components:	Qty	PN	Qty	PN
Blower Inlet Guard	1	203079	1	102475
Belt Guard	1	193797	1	193795
Green Wire Assembly	1	202939	1	202939
Screws, #10-16 × 1/2" long (4 for attaching blower inlet guard, 3 for attaching belt guard, and 1 for attaching ground wire to blower)	8	37661	8	37661

CODE 148 - Hanger Kits (Same as Options CK8 and CK10)



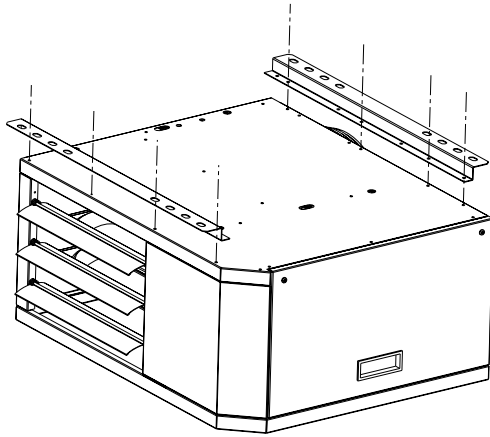
Size	All
Option CK8 Pkg PN	98509
Swivel Connector Assembly	(2) 17627
Lock Washer, 3/8"	(2) 5197
Option CK10 Pkg PN	98511
Swivel Connector Assembly	(4) 17627
Lock Washer, 3/8"	(8) 5197
Hex Nuts, 3/8"	(4) 1438

CODE 150 - Ceiling Suspension Kit for Std Power Vent or Separated Combustion Fan Type Unit Sizes 30–125 (Same as Option CK22)

Model Sizes	30, 45, 60, 75, 100, 125
Option CK22 Pkg PN	197094
Suspension Angle	(2) 195496 - UDAP Part # (1000050) - APD Part #
Sheetmetal Screw	(1) 195638

Attach ceiling brackets to top, across front and rear of the heater. Use cabinet screws and screw from kit.

Applies only to Std Power Vent or Separated Combustion Fan Type Units Sizes 30–125



CODE 151 - Manual Shutoff Valve (Same as Option CE1)



Description	30, 45, 60, 75, 100, 125, 150, 175, 200	225, 250, 300, 350, 400
Option Pkg PN	15971	15972
Manual Shutoff Ball Valve	196910, 1/2"	196911, 3/4"
Union	1224, 1/2"	1101, 3/4"

Thermostats and Thermostat Accessories

CODE 160 - Single-Stage Thermostat, 24 volt, fan switch, PN 255350 (Same as Option CL1)



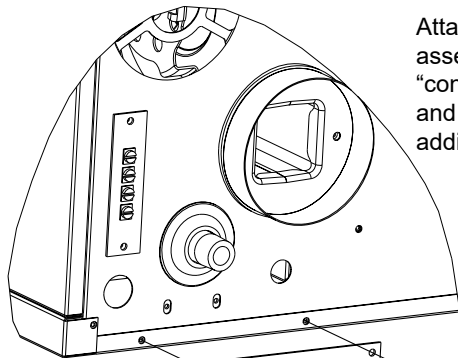
CODE 161 - Two-Stage Thermostat, 24 volt, fan switch, PN 220630 (Same as Option CL22)



CODE 162 - Locking Thermostat Cover, PN 257464 (Same as Option CM1)



CODE 163 - Kits for Control of 2 to 6 Heaters



Attach the relay assembly to the "control" unit and up to five additional units.

Cable Clamp
All model sizes use existing screw.

Relay Bracket Assembly
Model Sizes 30-125 use existing cabinet screw.
Model Sizes 150-400 use self drilling screw in the kit.

Pkg PN 197155 for One "Control" Heater and One Additional Heater (Same as Option CL31)

Qty	PN	Description
1	194808	Transformer 40VA (for the "control" unit)
2	197157	Relay Assemblies each consisting of one PN 18549, Relay (NOTE: If replacing relay only PN 98118, WR #134-20102-101, order Kit PN 263527), wired and mounted on a specially designed bracket
2	195249	Self drilling screw for attaching relay bracket
2	16228	Cable Clamp 3/16"
1	197160	Wiring Harness Assembly (brown wires)
2	197164	Wiring Diagram Label

Pkg PN 197156 for Each Additional (4 maximum) "Non-Controlling" Heater (Same as Option CL32)

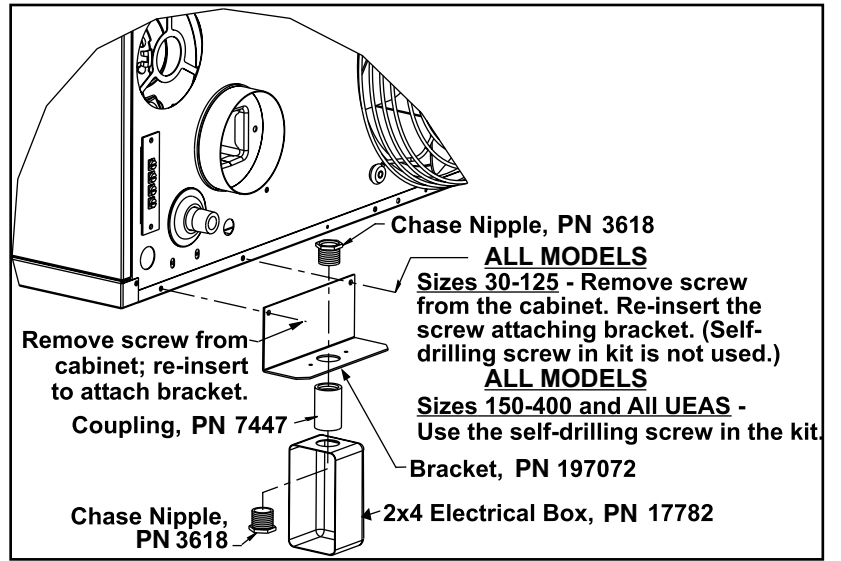
Qty	PN	Description
1	197157	Relay Assemblies each consisting of one PN 18549, Relay (NOTE: If replacing relay only PN 98118, WR #134-20102-101, order Kit PN 263527), wired and mounted on a specially designed bracket
1	195249	Self drilling screw for attaching relay bracket
1	16228	Cable Clamp 3/16"
1	197164	Wiring Diagram Label

Thermostat Accessories (cont'd)

CODE 164 - Thermostat Bracket Kit for All Models (Same as Option CM3)

Thermostat bracket option package,
PN 197077, includes:

QTY	Description	PN
1	2 × 4 Electrical Box	17782
1	1/2" Coupling Conduit Connector	7447
2	1/2" Chase Nipple	3618
1	Bracket	197072
1	Screw (Self-Drilling)	195249



NOTES:

NOTES:

Specifications & illustrations subject to change without notice and without incurring obligations.

© Nortek Global HVAC, LLC 2018. All rights reserved.

All marks are the property of their respective organizations.

O'Fallon, MO | Printed in U.S.A. (04-18)

Document No. D300513D (04-18) P-UD&APD